

Edge UX 230V/1,25kW50Hz 220mm AMO230500  
 Edge UX 230V/1,25kW50Hz 130mm AMO230600

**Bona**<sup>®</sup>

**EDGE UX**  
 230V-50Hz

KT-BONA  
 Page 1/16  
 SEPTEMBER 2019

## SPARE PARTS PAGE 1 of 8

<b>ITEM</b>	<b>PART NUMBER</b>	<b>DESCRIPTION</b>	<b>Q.TY</b>
1	ASK 7299940006BKT	COMPLETE REAR SHELL ASSEMBLY 230/50 R9006	1
2	ASK7299940029	COMPLETE RIGHT HANDGRIP ASSEMBLY EDGE UX	1
3	ASK7299940028	COMPLETE LEFT HANDGRIP ASSEMBLY EDGE UX	1
4	ASK7299940005BKT	COMPLETE WHEEL SUPPORT EU ASSEMBLY R9006	1
5	ASK7299940008	BOARD ASSEMBLY 1-230/50-EDGE UX	1
6	ASK7299940026	COMPLETE UPPER SHELL ASSEMBLY EDGE UX	1
7	ASK7299940001	COMPLETE MOTOR+CONVEYOR ASSEMBLY 230/50	1
8	ASK7299940042BKT	COMPLETE MEDIUM ARM ASSEMBLY-METALPLATE	1
9	ASK7299940007BKT	COMPLETE FRONT SHELL ASSEMBLY R9006-EU	1
10	ASK7299940044BKT	COMPLETE SHORT ARM ASSEMBLY-METAL PLATE	1

**Bona**<sup>®</sup>

**EDGE UX**

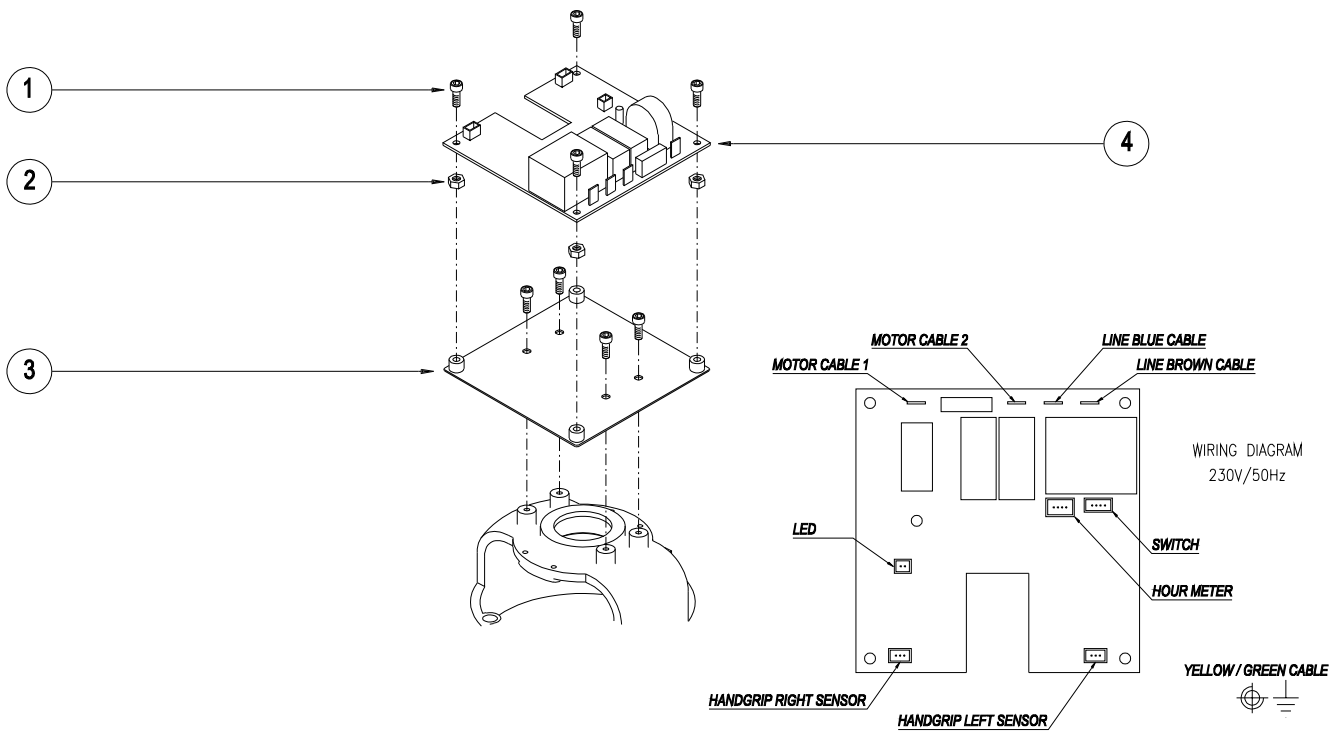
**230V-50Hz**

KT-BONA

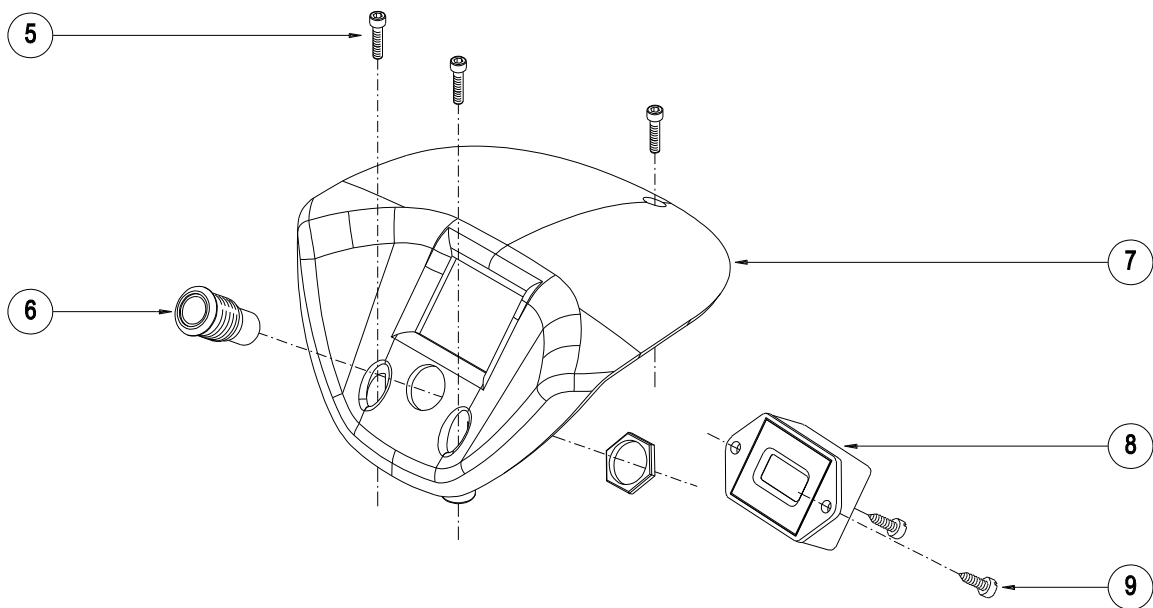
Page 2/16

SEPTEMBER 2019

## EU COMPLETE PRINTED CIRCUIT BOARD ASSEMBLY 230/50Hz



## COMPLETE UPPER SHELL ASSEMBLY



## SPARE PARTS PAGE 2 of 8

<i>ITEM</i>	<i>PART NUMBER</i>	<i>DESCRIPTION</i>	<i>Q.TY</i>
1	ASK5800330405	SCREW M4X18 (UNI 5931) HE.SO.HE.CA.GALVAN.	8
2	ASK5801930004	NUT M4 HEXAGONAL (UNI 5588) GALVANIZED	4
3	ASK7200030032	PCB SUPPORTING METAL SHEET - EDGE UX	1
4	ASK7200030008	BOARD 1-230V/50HZ EDGE UX	1
5	ASK5800330403	SCREW M4X12 (UNI 5931) HE.SO.HE.CA.GALVAN.	3
6	ASK7200030042	WIRED CONTACT SWITCH - EDGE UX	1
7	ASK7200030026	UPPER BLACK SHELL - EDGE UX	1
8	ASK7200030038	HOUR METER WITH DATA & INFO	1
9	ASK5800930008	SCREW 3.5X9.5 - C.R.F.H.(UNI 6955) - S.T.G.	2

**Bona**<sup>®</sup>

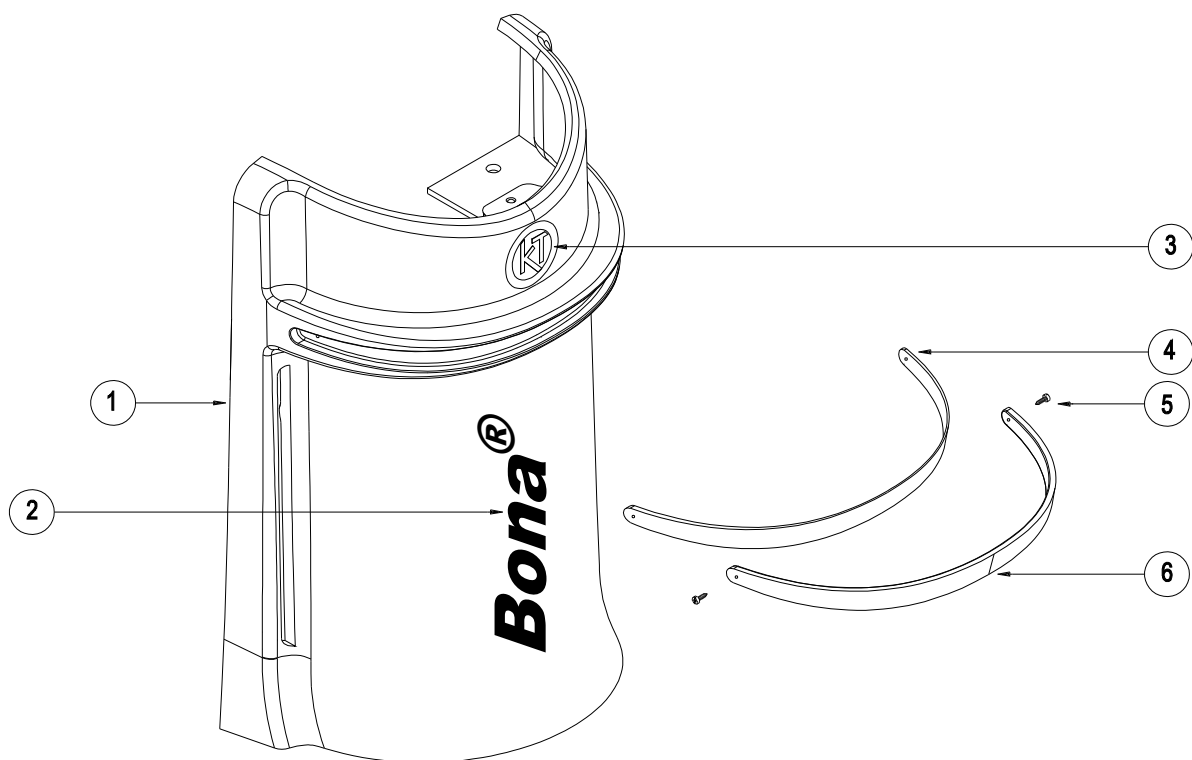
**EDGE UX**  
230V-50Hz

KT-BONA

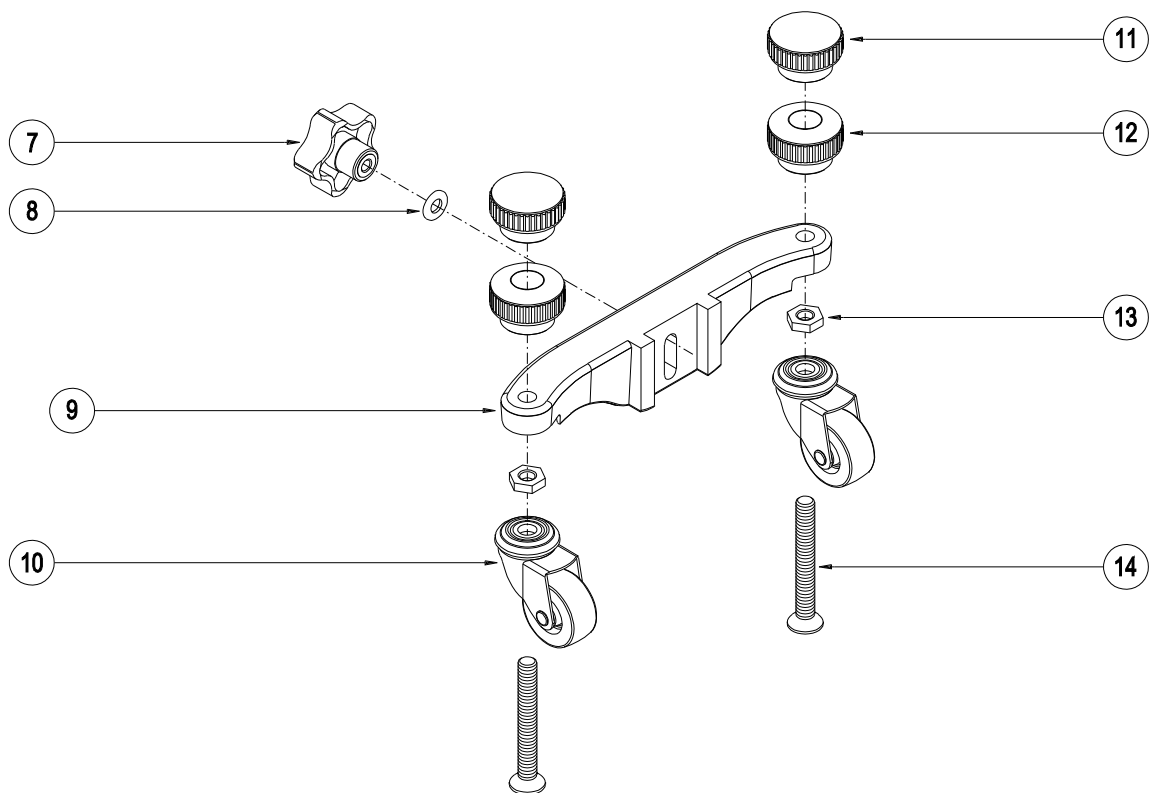
Page 4/16

SEPTEMBER 2019

EU COMPLETE FRONT SHELL ASSEMBLY



EU COMPLETE WHEELS HOLDING ASSEMBLY



## SPARE PARTS PAGE 3 of 8

<b>ITEM</b>	<b>PART NUMBER</b>	<b>DESCRIPTION</b>	<b>Q.TY</b>
1	ASK7200040007BKT	FRONT SHELL RAL9006 - EDGE UX	1
2	ASO996411	BONA BLUE LABEL 145X38	1
3	ASK5100031299	ROUND KT LABEL D40	1
4	ASK7200030031	LED-8 SPOTS - EDGE UX	1
5	ASK5800930007	SCREW 2.2X9.5 50P SELF-TAPPING	2
6	ASK7200040027	LED GUARD DRILLED GLASS - EDGE UX	1
7	ASK5100030083	HANDWHEEL VCT. 50 B-M8	1
8	ASK5100030244	WASHER D20 HOLE8.5 TH.3 GALVANIZED	1
9	ASK7200040005BKT	WHEEL SUPPORT RAL9006 - EDGE UX	1
10	ASK7200030016	WHEEL T.R.373100 D.40 - EDGE UX	2
11	ASK7200030015	WHEEL ADJUSTING HANDWHEEL - EDGE UX	2
12	ASK7200030014	WHEEL LOCKING HANDWHEEL - EDGE UX	2
13	ASK5801934002	LOWER HEX. NUT M10 (UNI 5589/65)	2
14	ASK5800631080	SCREW M10X80 HE.SO.CO.HE (UNI 5933) G.	2

The Bona logo is displayed in a bold, blue, italicized sans-serif font. A registered trademark symbol (®) is located to the upper right of the 'a' in Bona.

**EDGE UX**

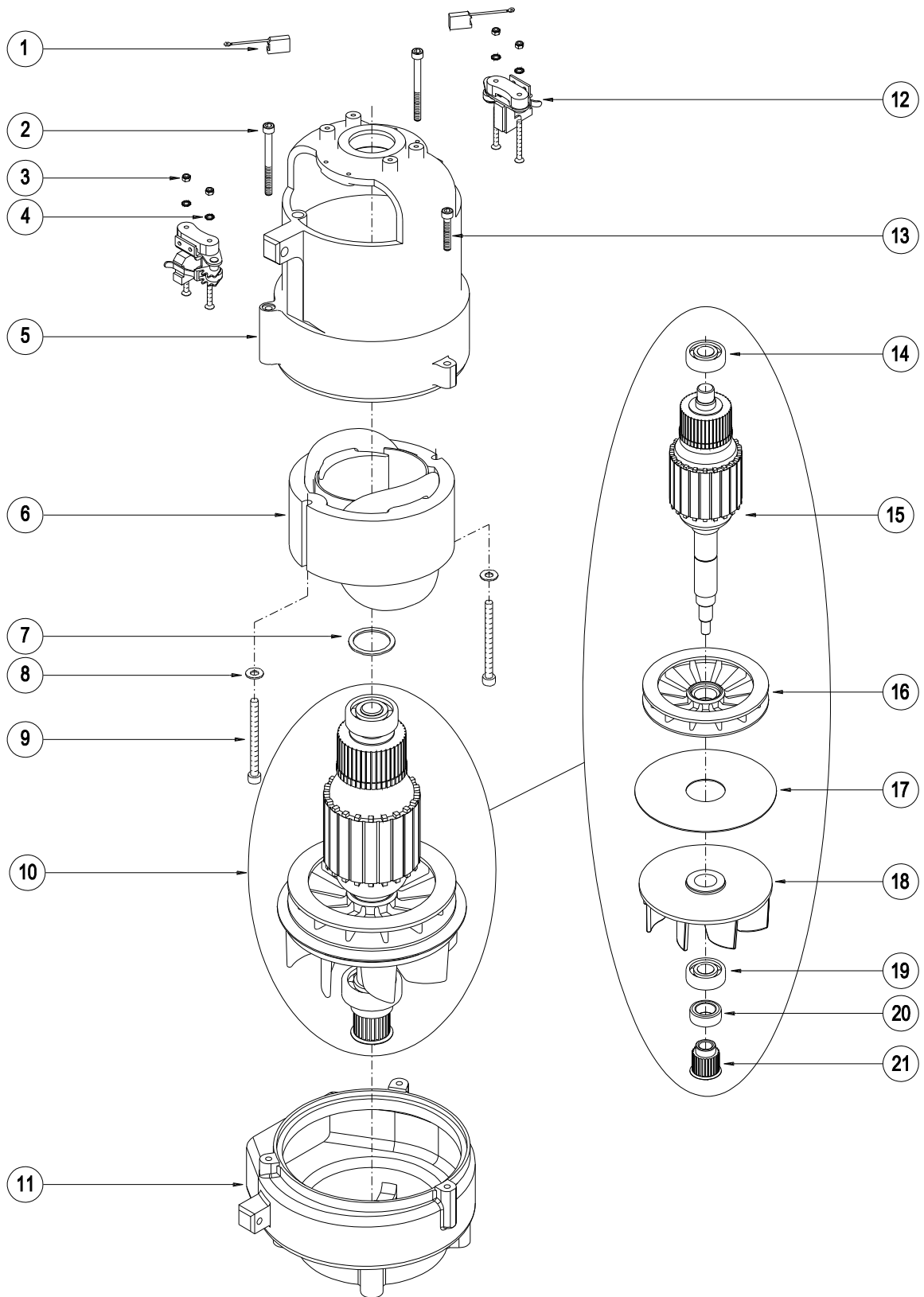
**230V-50Hz**

KT-BONA

Page 6/16

SEPTEMBER 2019

COMPLETE MOTOR + CONVEYOR  
ASSEMBLY 230V/50Hz



## SPARE PARTS PAGE 4 of 8

<b>ITEM</b>	<b>PART NUMBER</b>	<b>DESCRIPTION</b>	<b>Q.TY</b>
1	ASK5100030407	CARBON BRUSH 230/50	2
2	ASK5800330510	SCREW M5X50 HE.SO.HE.CAP (UNI 5931) GALVAN	2
3	ASK5801933003	NUT M3 HIGH SELF-LOCK.GALVAN.(DIN 982)	4
4	ASK5802233001	SERRAT.LOCK WASHER D3 (UNI 6798/A) GALVAN.	4
5	ASK7200040001	MOTOR MACHINED BODY EDGE UX	1
6	ASK5299940506	WOUND STATOR 230/50	1
7	ASK5803230001	COMPENSAT.ELASTIC RING 34.5X28X0.5	1
8	ASK5802234002	WASHER 5.3X15X1.5 (UNI 6593) GALVANIZ.	2
9	ASK5800330508	SCREW M5x60 HEX.SOCK.H.C.(UNI 5931) GALVAN.	2
10	ASK5299940225	COMPLETE ROTOR ASSEMBLY 230/50	1
11	ASK7200040002	MACHINED CONVEYOR EDGE UX	1
12	ASK5100030412	C.BRUSH HOLDER W/INS.BLOCKS + SCREWS	2
13	ASK5800330506	SCREW M5x25 HE.SO.HE.CAP (UNI 5931) GALVAN.	1
14	ASK5804032006	BEARING 6202-2RS1	1
15	ASK5299940239	ROTOR 230V/50HZ	1
16	ASK5100040415	MOTOR FAN	1
17	ASK5100040417	FANS SEPARATOR DISC	1
18	ASK0400040418	SUCTION FAN	1
19	ASK5804032010	6202 2RS BEARING	1
20	ASK5100030045	ROTOR SPACER	1
21	ASK5100030046	PULLEY	1



**EDGE UX**  
230V-50Hz

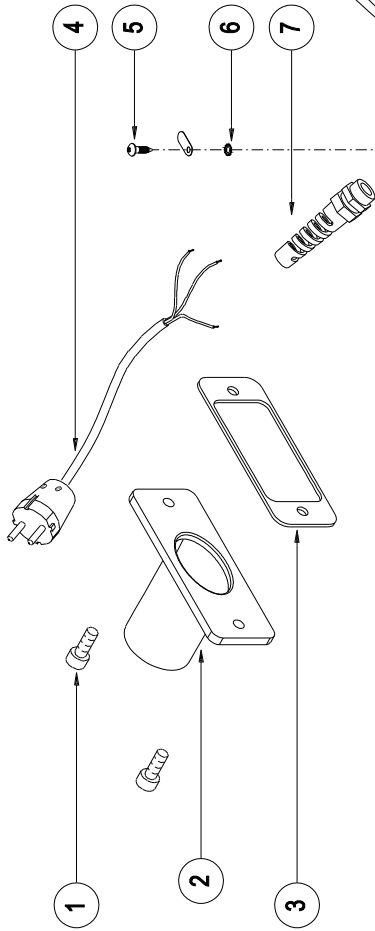
KT-BONA

Page 8/16

SEPTEMBER 2019

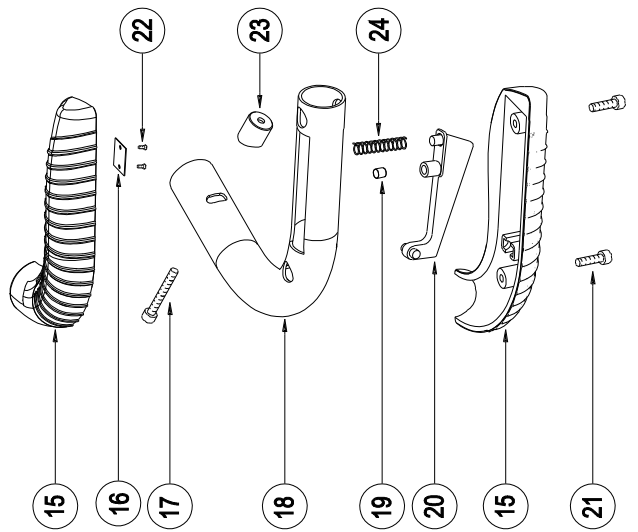
1

COMPLETE REAR SHELL 230V/50Hz RAL9006



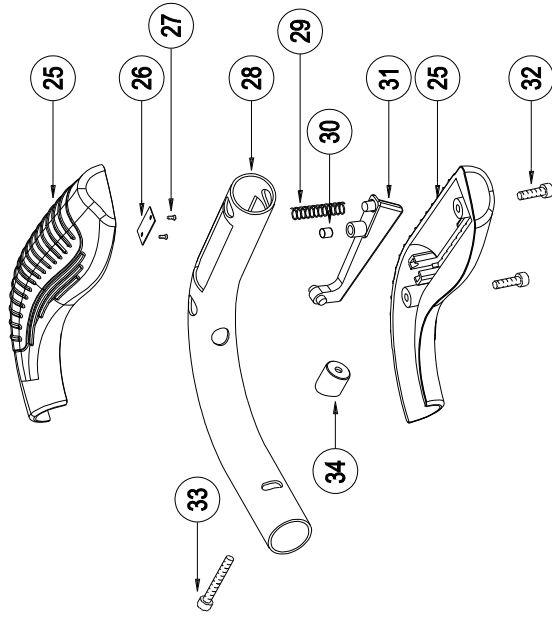
2

COMPLETE RIGHT HAND GRIP

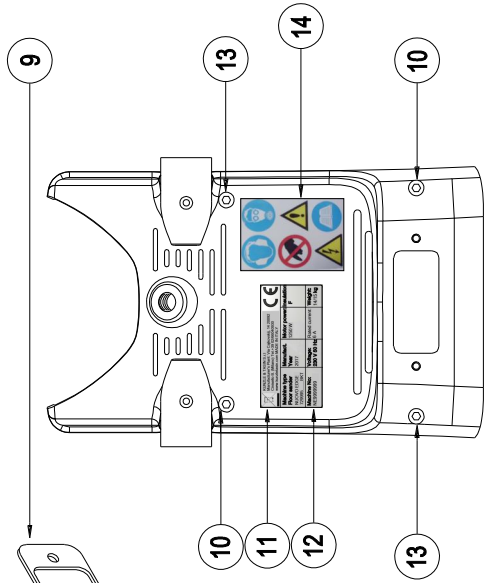
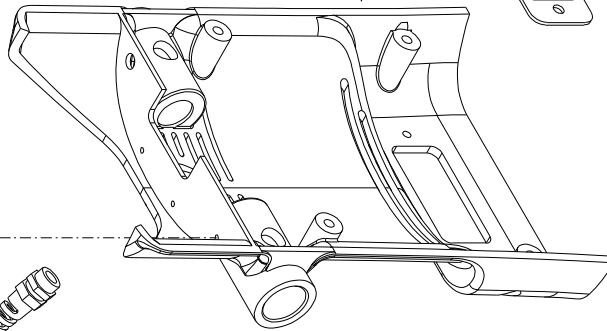


3

COMPLETE LEFT HAND GRIP



8



## SPARE PARTS PAGE 5 of 8

<b>ITEM</b>	<b>PART NUMBER</b>	<b>DESCRIPTION</b>	<b>Q.TY</b>
1	ASK5800330618	SCREW M6X12 (UNI 5931) GALVANIZ.	2
2	ASK6700030015GR	REMOTE SUCTION ADAPTER	1
3	ASK6700030030	SUCTION ELBOW SEAL	1
4	ASK2900030078	CABLE H05VV-F 3G1.5+SCHUKO 200MM	1
5	ASK5800230401	SCREW M4X8 CR.RE.P.H. (UNI 7687) GALVANIZ	1
6	ASK5802232001	INT.SERR.LOCK WASHER M4 (UNI 6798J) GALVAN	1
7	ASK5100030468	BLACK SPIRAL CABLE GLAND PG11	1
8	ASK7200040006BKT	REAR SHELL RAL9006- EDGE UX	1
9	ASK6700030030	SUCTION ELBOW SEAL	1
10	ASK5800330608	SCREW M6x35 HEX.SO.HE.CA.(UNI 5931) GALVAN.	2
11	ASO996102	MOTOR LABEL 70X35-SILVER	1
12	ASO996109	TRANSPARENT FILM 70X35	1
13	ASK5800330650	SCREW M6X50 HE.S.H.C.(UNI 5931) S.COL.	2
14	ASO996104	WARNING LABEL 32X45-6 SYMBOLS	1
15	ASK7200030024	RIGHT UP.+LOW.BLACK HANDGRIP-EU	1
16	ASK7200030034	HALL EFFECT SENSOR+PCB-EDGE UX	1
17	ASK5800330513	SCREW M5X40 HE.SO.HE.CA.(UNI 5931) GALVAN	1
18	ASK7200030020	HANDGRIP TUBE D.25MM-EU EDGE UX	1
19	ASK7200030035	HALL EFFECT SENSOR MAGNET D.5X5	1
20	ASK7200030021	MICROSW. START RED LEVER-EDGE UX	1
21	ASK5800330404	SCREW M4x16 HE.SO.HE.C.(UNI 5931) GALVANIZ	2
22	ASK5801030021	SCREW D2.2X6.5-C.R.P.H-(UNI 6954)-S.T.	2
23	ASK7200030037	HANDGRIP TUBE CLAMP-EDGE UX	1
24	ASK7200030036	HANDGRIP SPRING D.5.4X-EDGE UX	1
25	ASK7200030022	LEFT UPP.+LOW.BLACK HANDGRIP-EDGE UX	1
26	ASK7200030034	HALL EFFECT SENSOR+PCB-EDGE UX	1
27	ASK5801030021	SCREW D2.2X6.5-C.R.P.H-(UNI 6954)-S.T.	2
28	ASK7200030020	HANDGRIP TUBE D.25MM-EU EDGE UX	1
29	ASK7200030036	HANDGRIP SPRING D.5.4X-EDGE UX	1
30	ASK7200030035	HALL EFFECT SENSOR MAGNET D.5X5	1
31	ASK7200030021	MICROSW. START RED LEVER-EDGE UX	1
32	ASK5800330404	SCREW M4x16 HE.SO.HE.C.(UNI 5931) GALVANIZ	2
33	ASK5800330513	SCREW M5X40 HE.SO.HE.CA.(UNI 5931) GALVAN	1
34	ASK7200030037	HANDGRIP TUBE CLAMP-EDGE UX	1



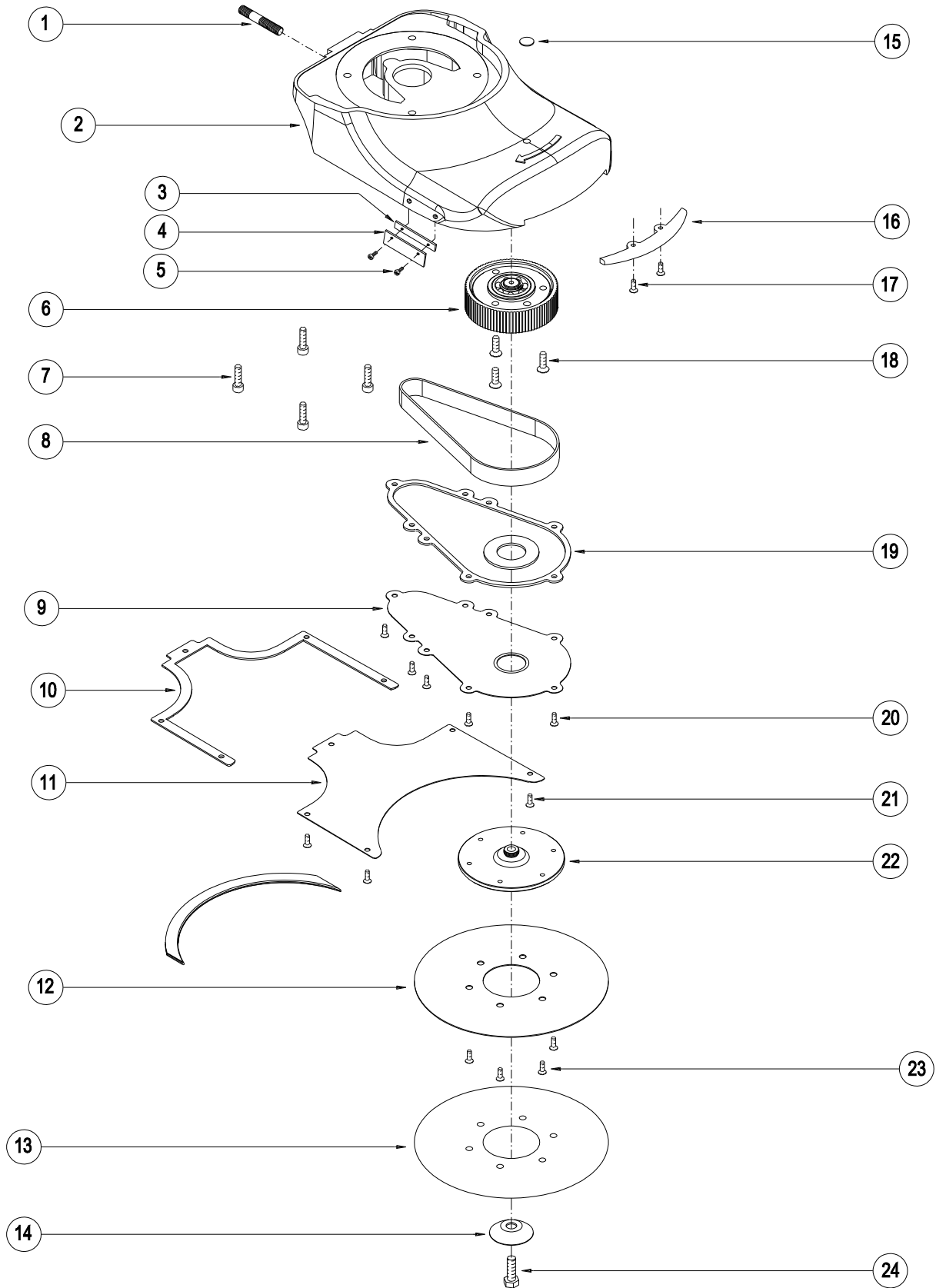
**EDGE UX**  
230V-50Hz

KT-BONA

Page 10/16

SEPTEMBER 2019

COMPLETE SHORT ARM ASSEMBLY METAL PLATE  
RAL 9006



## SPARE PARTS PAGE 6 of 8

<b>ITEM</b>	<b>PART NUMBER</b>	<b>DESCRIPTION</b>	<b>Q.TY</b>
1	ASK2500030009	STUD BOLT M8x37 GALVANIZED	1
2	ASK7200040004BKT	SHORT ARM RAL9006-EDGE UX	1
3	ASK7200030070	DUST GUARD FIXING PLATE	1
4	ASK7200030062	SILICONE DUST GUARD 23X50	1
5	ASK5800230301	SCREW M3x6 CROSS REC.PAN H.(UNI 7687)	2
6	ASK7299940060	PULLEY ASSEMBLY-EDGE UX	1
7	ASK5800330604	SCREW M6X20 HEX.SOC.HEA.CAP (UNI 5931) GAL	4
8	ASK7200030009	DR.BELT MEGADY.ISORAN 432 RPP3 H=18	1
9	ASK7200030011	TRANSMISSION METAL SHEET-EDGE UX 130	1
10	ASK7200030045	SUCTION SEAL-EDGE UX 130	1
11	ASK7200030054	SUCTION METAL SHEET-EDGE 130	1
12	ASK7200030041	BLUE STEEL DISC F/BACK.DISC TH=0.8	1
13	ASO222059	VELCRO DISC FOR BACKING DISC D.178	1
14	ASO222053	CONICAL WASHER	1
15	ASK3100030804	STOPPER-TAP0705 RAL9005	1
16	ASK7200030049	NEW WALL EDGE-EDGE UX 220	1
17	ASK5800530401	SCREW M4x10 CRFH (UNI 7688 DIN965) GAL	2
18	ASK5800630604	SCREW M6x18 HE.SOC.CO.U.HE. (UNI 5933) GALV	3
19	ASK7200030055	TRANSMISSION SEAL-EDGE UX 130	1
20	ASK5800530401	SCREW M4x10 CRFH (UNI 7688 DIN965) GAL	8
21	ASK5800530401	SCREW M4x10 CRFH (UNI 7688 DIN965) GAL	5
22	ASK7200030057	METAL CENTERING DISC SUPPORT M14X1	1
23	ASO958012	SCREW M5X8 TORX CAP HEAD GALVANIZED	6
24	ASK5800730802	SCREW M8x20 HEX.HEAD (UNI 5739) GALVAN	1



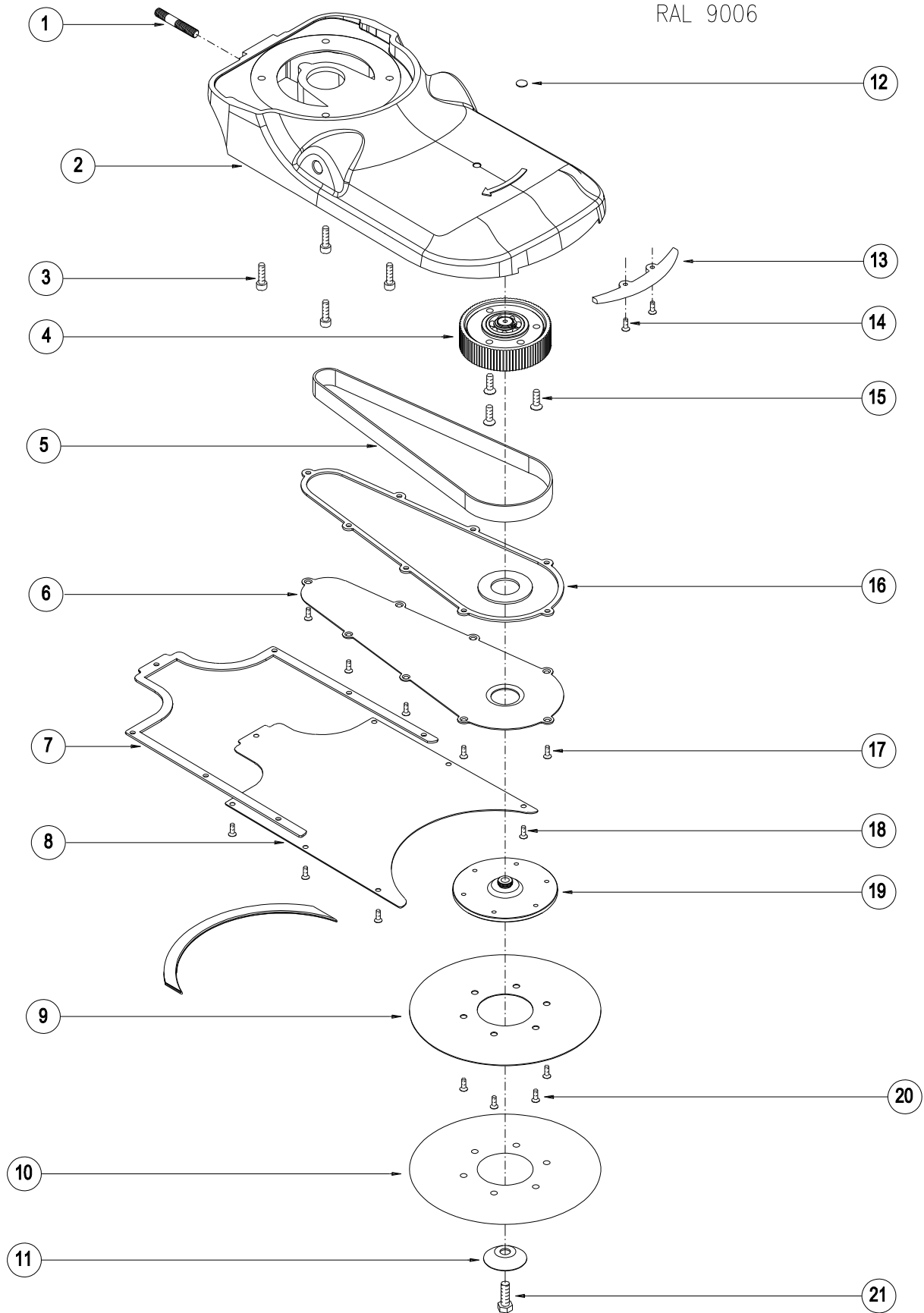
**EDGE UX**  
230V-50Hz

KT-BONA

Page 12/16

SEPTEMBER 2019

COMPLETE MEDIUM ARM ASSEMBLY METAL PLATE  
RAL 9006



## SPARE PARTS PAGE 7 of 8

<b>ITEM</b>	<b>PART NUMBER</b>	<b>DESCRIPTION</b>	<b>Q.TY</b>
1	ASK2500030009	STUD BOLT M8x37 GALVANIZED	1
2	ASK7200040028BKT	MEDIUM ARM 220 RAL9006-EDGE UX	1
3	ASK5800330604	SCREW M6X20 HEX.SOC.HEA.CAP (UNI 5931) GAL	4
4	ASK7299940060	PULLEY ASSEMBLY-EDGE UX	1
5	ASK7200030051	DRIVE BELT-GATES POWERGR.HTD 645 3M	1
6	ASK7200030066	TRANSMISSION METAL SHEET- EDGE UX 220	1
7	ASK7200030067	SUCTION SEAL- EDGE UX 220	1
8	ASK7200030065	SUCTION METAL SHEET- EDGE UX 220	1
9	ASK7200030041	BLUE STEEL DISC F/BACK.DISC TH=0.8	1
10	ASO222059	VELCRO DISC FOR BACKING DISC D.178	1
11	ASO222053	CONICAL WASHER	1
12	ASK5100031330	EYEBOLT LOCKING CAP	1
13	ASK7200030049	NEW WALL EDGE-EDGE UX 220	1
14	ASK5800530401	SCREW M4x10 CRFH (UNI 7688 DIN965) GAL	2
15	ASK5800630604	SCREW M6x18 HE.SOC.COU.HE. (UNI 5933) GALV	3
16	ASK7200030068	TRANSMISSION SEAL- EDGE UX 220	1
17	ASK5800530401	SCREW M4x10 CRFH (UNI 7688 DIN965) GAL	8
18	ASK5800530401	SCREW M4x10 CRFH (UNI 7688 DIN965) GAL	7
19	ASK7200030057	METAL CENTERING DISC SUPPORT M14X1	1
20	ASO958012	SCREW M5X8 TORX CAP HEAD GALVANIZED	6
21	ASK5800730802	SCREW M8x20 HEX.HEAD (UNI 5739) GALVAN	1



**EDGE UX**  
230V-50Hz

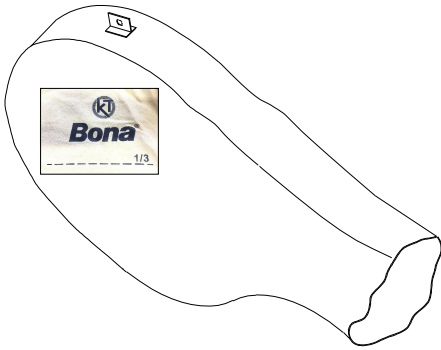
KT-BONA

Page 14/16

SEPTEMBER 2019

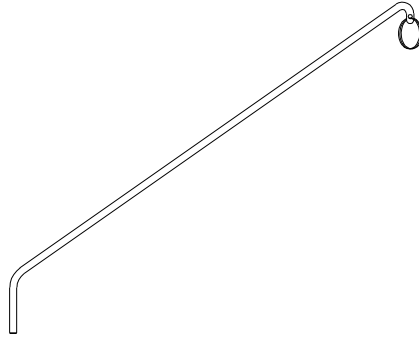
1

EU DUST BAG NEW EDGE



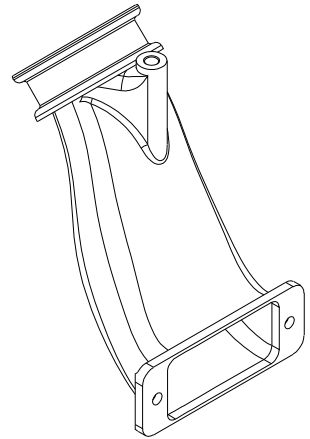
2

DUST CLOTH BAG HOLDING ASSEMBLY



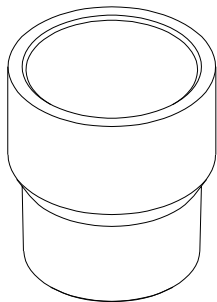
3

SUCTION ELBOW



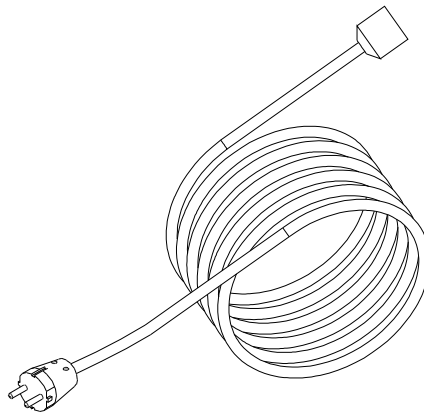
4

DCS ADAPTER



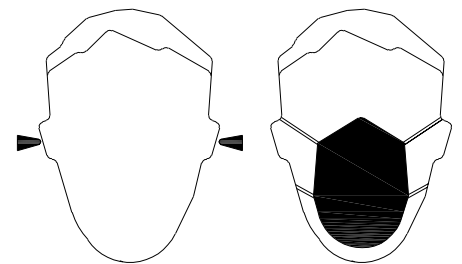
5

EU POWER CABLE 10MT



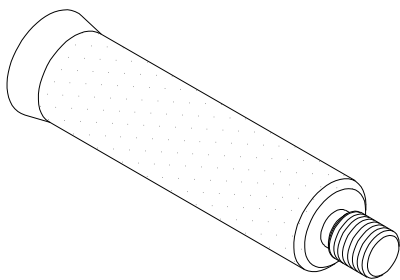
6

FACE MASK AND EAR CAPS



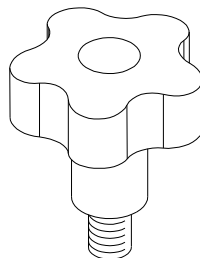
7

SIDE AUXILIARY HANDLE



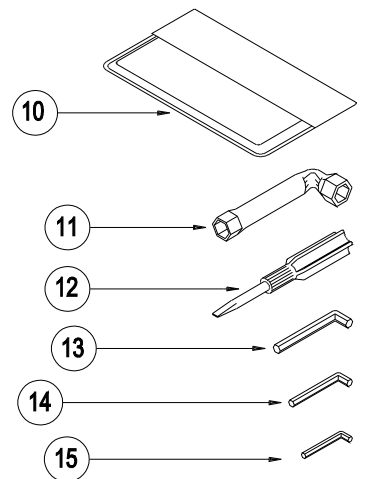
8

FRONT AUXILIARY HANDLE



9

TOOL BAG



## SPARE PARTS PAGE 8 of 8

<b>ITEM</b>	<b>PART NUMBER</b>	<b>DESCRIPTION</b>	<b>Q.TY</b>
1	ASK720003008	CLOTH DUST BAG-EU-EDGE UX	1
2	ASK7299940039	CL.BAG HOLDING ROD ASSEMBLY- EDGE UX	1
3	ASK6700040016BKT	SUCTION ELBOW RAL9006-EDGE UX	1
4	ASK7200030050	REMOTE SUCTION ADAPTER-EDGE UX	1
5	ASO904023	CABLE EXTENSION 10M 3X2.5 SCHUKO/SC	1
6	ASO991232	FACE MASK-EAR CAPS	1
7	ASK7299940011	AUXILIARY HANDGRIP-EDGE UX	1
8	ASK7299940052	AUXILIARY FRONT HANDGRIP-EDGE UX 220	1
9	ASK7299940010	TOOL BAG-EDGE UX	1
10	ASO991100	TOOL BAG NEW MODEL	1
11	ASK5100030149	ANGLED BOX SPANNER 13/13	1
12	ASK5100030145	DOUBLE ENDED SCREWDRIVER	1
13	ASK0200030299	ALLEN KEY N.5 GALVANIZED	1
14	ASO990604	ALLEN KEY N.4 GALVANIZED	1
15	ASK5100031036	ALLEN KEY N.3 GALVANIZED	1

**Bona**<sup>®</sup>

**EDGE UX**  
230V-50Hz

KT-BONA

PAGE 16/16

SEPTEMBER 2019