
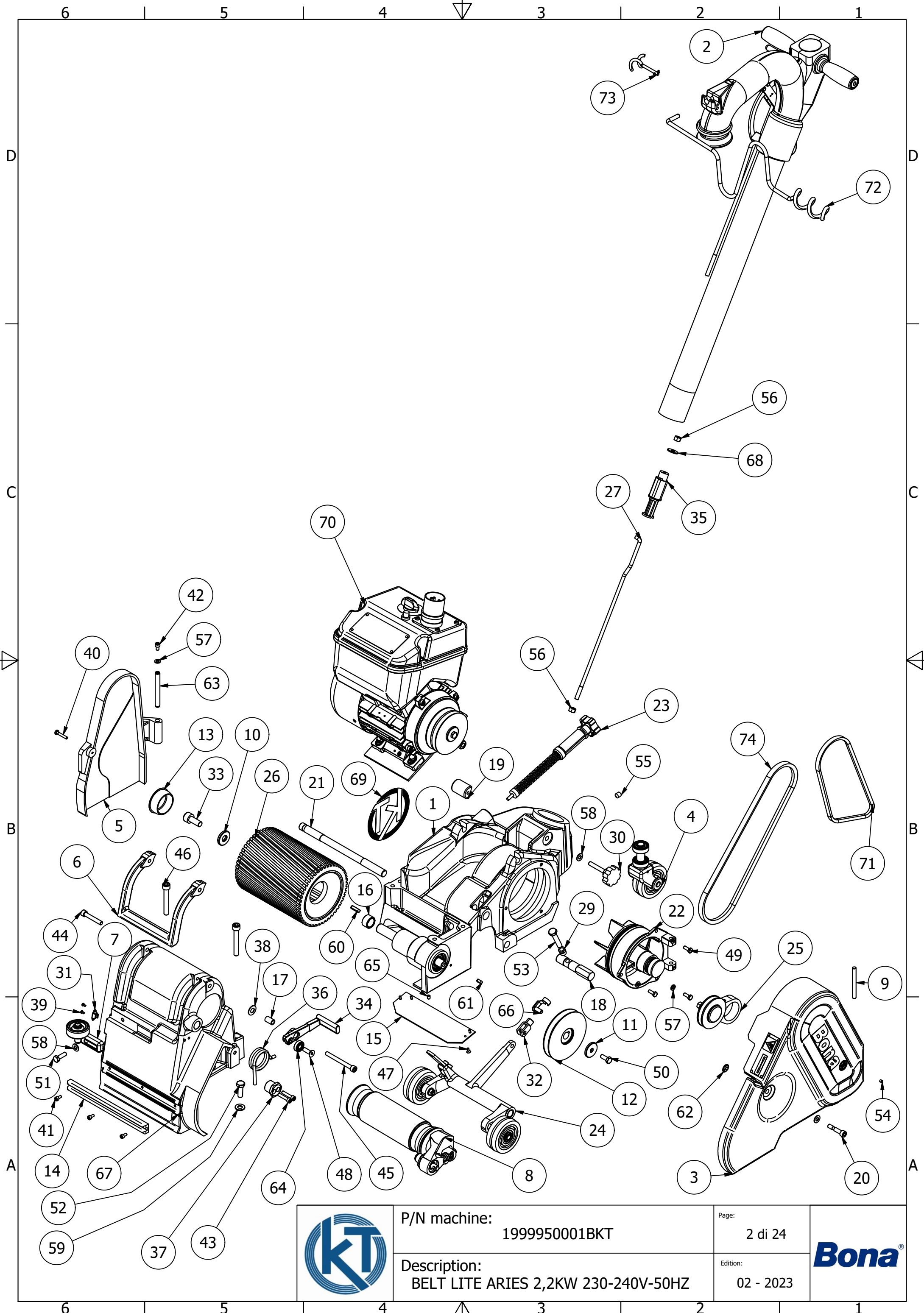




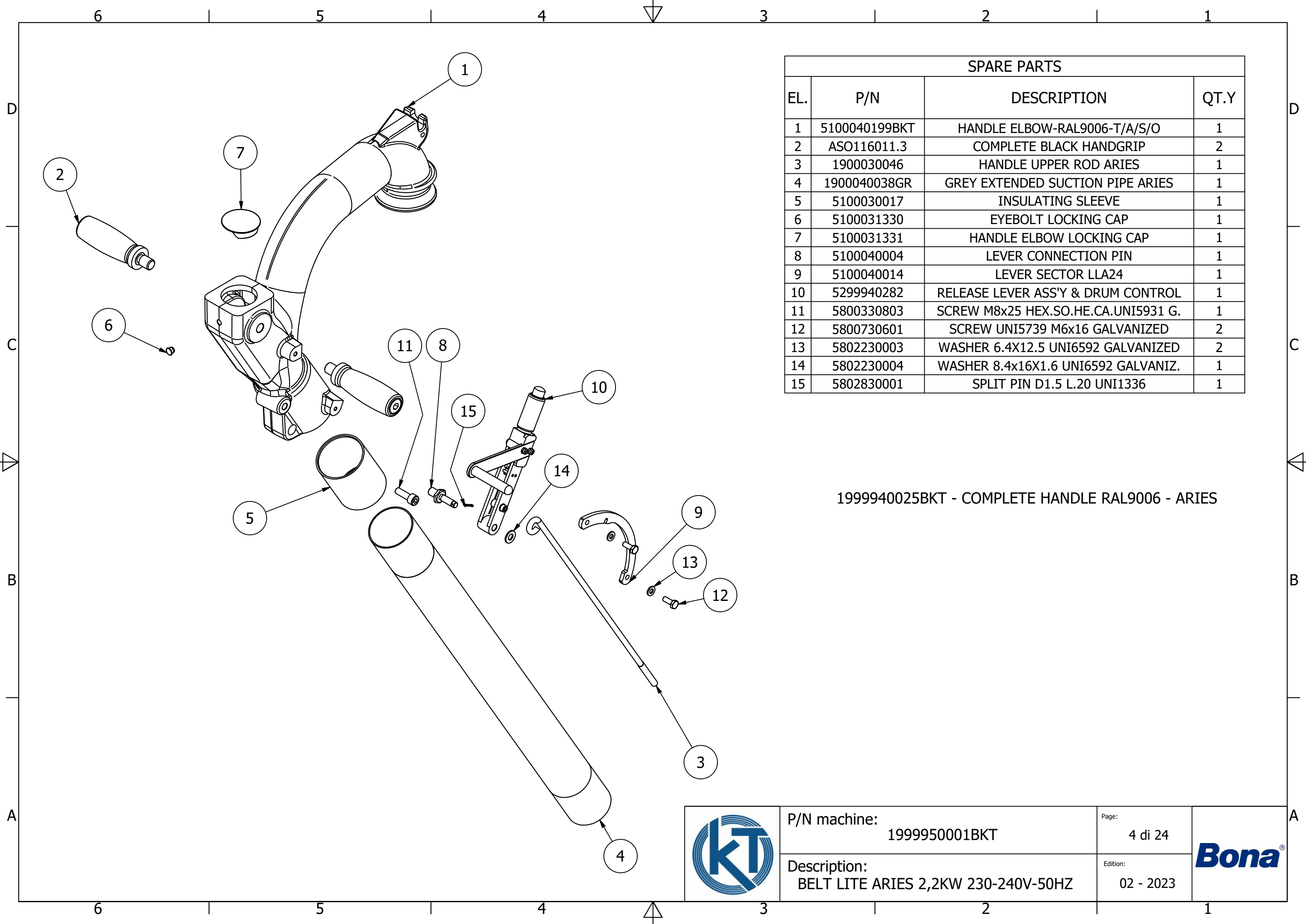
	P/N machine: 1999950001BKT	Page: 1 di 24	
	Description: BELT LITE ARIES 2,2KW 230-240V-50HZ	Edition: 02 - 2023	



	P/N machine: 1999950001BKT	Page: 2 di 24	
	Description: BELT LITE ARIES 2,2KW 230-240V-50HZ	Edition: 02 - 2023	



SPARE PARTS				SPARE PARTS			
EL.	P/N	DESCRIPTION	QT.Y	EL.	P/N	DESCRIPTION	QT.Y
1	1999940024BKT	MACHINE BED W/DRUM SHAFT R9006 - ARIES	1	39	5800230301	SCREW M3x6 CROSS REC.PAN H.UNI7687	2
2	1999940025BKT	COMPLETE HANDLE RAL9006 - ARIES	1	40	5800230504	SCREW VTCIC M5X30 UNI 7687	1
3	1999940032BKT	DRIVE BELT GUARD-R9006+WARNIN.PLATE	1	41	5800330501	SCREW M5x10 UNI5931 GALVANIZED	3
4	1999940008BKT	COMPLETE CASTER-RAL 9006-ARIES	1	42	5800330601	SCREW M6x10 HE.SO.HE.CA.UNI5931 GAL	1
5	1900040048BKT	SIDE GUARD-TEXTURED RAL9006 - ARIES	1	43	5800330607	SCREW M6x30 UNI5931 GALVANIZED	2
6	1900040032BKT	LIFTING HANDLE-TEXTURED RAL9006-ARIES	1	44	5800330807	SCREW M8x50 HE.SO.HE.CA-UNI5931-GAL	1
7	2099940030BKT	COMPLETE WALL EDGE-RAL9006	1	45	5800330809	SCREW M8x80 HEX.SOC.HEA.CAP UNI5931	1
8	2099940100BKT	TENSIONER 3-RAL9006	1	46	5800331004	SCREW M10x70 HE.SO.HE.CA.UNI5931 G.	2
9	ASO991120	STEEL PIN CP 8X80	1	47	5800530401	SCREW M4x10 CRFH UNI7688 DIN965 GAL	4
10	0700040907	DRUM LOCKING WASHER T/S/O	1	48	5800630805	SCREW M8X25 HEX.S.COUNT.H.UNI5933	1
11	0700040910	PULLEY LOCK.WASHER-D35X8.5X4 GALVAN	1	49	5800730601	SCREW UNI5739 M6x16 GALVANIZED	3
12	1500041206	DRUM PULLEY-A/LE/LI	1	50	5800730802	SCREW M8x20 UNI5739 GALVANIZED	1
13	1900030010	DRUM CAP ARIES	1	51	5800730803	SCREW M8x25 UNI5739 GALVANIZED	1
14	1900040004	RUBBER BUMPER-ARIES	1	52	5800731003	SCREW M10x30 HEX.HEAD UNI5739 GALV.	1
15	1900040012	BED METAL SHEET ARIES	1	53	5800731004	SCREW M10x50 HEXAGON HEAD UNI5739	1
16	1900040020	DRUM SPACER	1	54	5801531001	GRUB SCREW M5x6 CO.PO.AL.SO.UNI5927	1
17	1900040031	SPACER	1	55	5801531005	GRUB SCREW M10x12 HE.SO.C.P.UNI5927	1
18	1900040033	DRIVE BELT TENSIONING PIN-ARIES	1	56	5801931008	M8 UNI 5587 NUT	2
19	1900040040	PIPE FIXING BLOCK	1	57	5802230003	WASHER 6.4X12.5 UNI6592 GALVANIZED	4
20	1900040046	SCREW M8X40 HEX.SO.HE.CAP UNI5931 G	1	58	5802230004	WASHER 8.4x16X1.6 UNI6592 GALVANIZ.	3
21	1900040047	WHEELS SUPPORT SHAFT ARIES	1	59	5802230005	WASHER 10.5x20 UNI6592 GALVANIZED	1
22	1999940001	SUCTION ASSEMBLY ARIES	1	60	5802630004	6x6x25 KEY	1
23	1999940012	DRUM PRESSURE CONTROL	1	61	5802630011	PARALLEL KEY 5x5x14 UNI6604	1
24	1999940015	COMPLETE WHEELS SUPPORT W/WHEELS-ARIES	1	62	5803032001	KS7 SNAP RING	1
25	1999940017	COMPLETE TIGHTENING PULLEY	1	63	5803731002	THREADED CYLINDR.PIN 10x90xM6 6364B	1
26	1999940042	EXTRUDED FLAT SPLINED DRUM-ARIES	1	64	5804032102	BEARINGS 609 2RS TE	1
27	5100030061	LOWER ROD	1	65	5801530002	GRUB SCREW M6X8 14.9 UNI5923	1
29	5100030675	SM45/2 10MA NUT	1	66	5100031049	FORK CLIP 8x16 DIN71725	1
30	5100031001	HANDWHEEL M8X50 VH153/44P	1	67	1900040002BKT	SANDING BELT GUARD-TEXTURED R9006-A	1
31	5100031048	FAST LOCK C11	1	68	ASO968106	WASHER 8.4X24X2 GALVANIZED	1
32	5100031050	FORK 8x16 SXN02	1	69	5100031293	KT ROUND BLUE LABEL D130	1
33	5100040232	ALLEN BOLT D12x30	1	70	2399950000BKT	COMPLETE MOTOR 230V/50HZ-RAL9006-ARIES	1
34	5100040900GO	TENSION.LOWERING RED RUBBERIZ.LEVER	1	71	1900030020	DRIVE BELT 10ZX 0635 ZX24 615LI	1
35	5299940274	WHEELS CONTR.JOINT (JOINT+BUSHING)	1	72	2000030110	CABLE/REMOTE SUCTION HOSE HOLDER-EU	1
36	2000030026	TENSIONER BIG SPRING	1	73	5299940175	COMPLETE CABLE SHORT HOLDER	1
37	2000040014	SPRING CAM A/T	1	74	1900030018	DRUM DRIVE BELT PI A33 13X838LI	1
38	5100031074	DISC SPR.WASHER DIN2093 23-12.2-1	1				

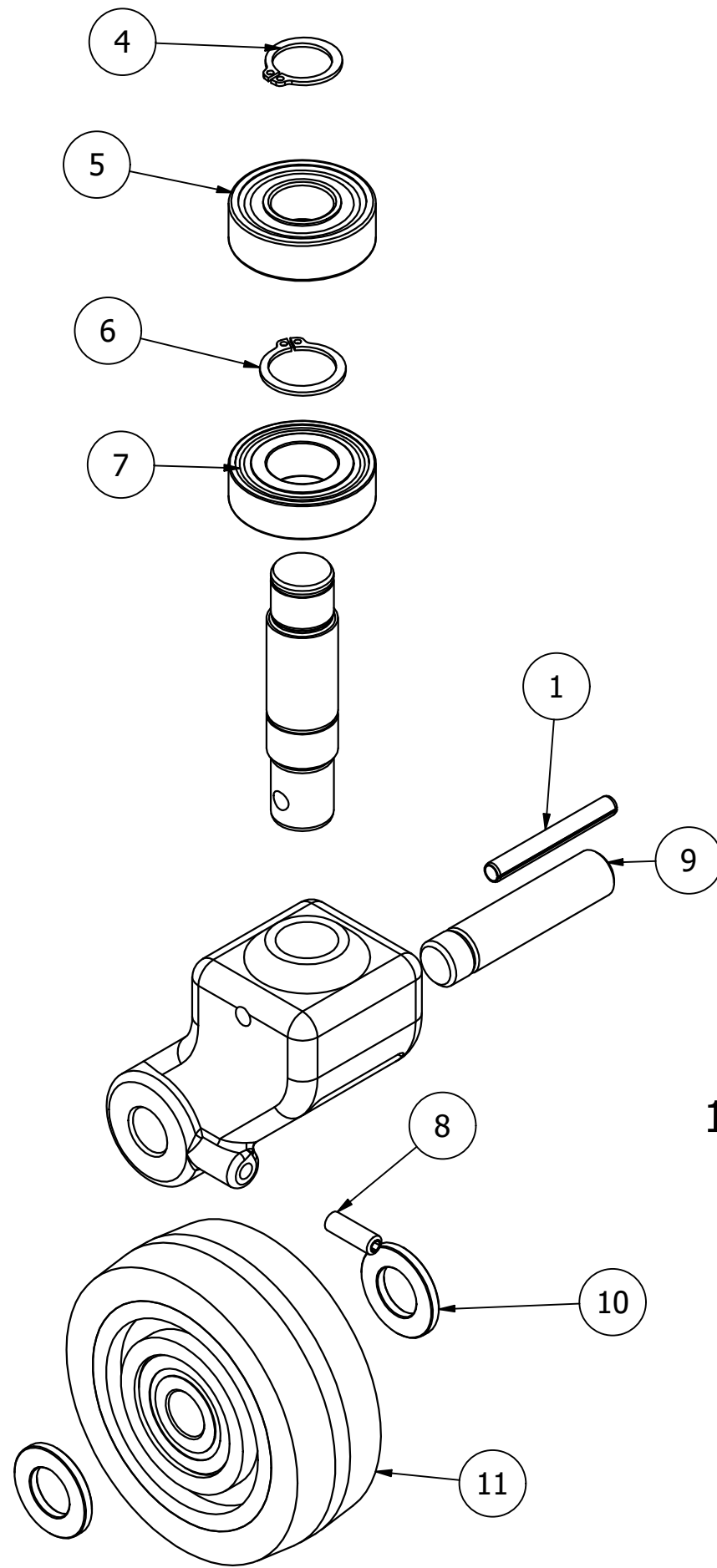
	P/N machine: 1999950001BKT	Page: 3 di 24	
	Description: BELT LITE ARIES 2,2KW 230-240V-50HZ	Edition: 02 - 2023	



SPARE PARTS			
EL.	P/N	DESCRIPTION	QT.Y
1	5100040199BKT	HANDLE ELBOW-RAL9006-T/A/S/O	1
2	ASO116011.3	COMPLETE BLACK HANDGRIP	2
3	1900030046	HANDLE UPPER ROD ARIES	1
4	1900040038GR	GREY EXTENDED SUCTION PIPE ARIES	1
5	5100030017	INSULATING SLEEVE	1
6	5100031330	EYEBOLT LOCKING CAP	1
7	5100031331	HANDLE ELBOW LOCKING CAP	1
8	5100040004	LEVER CONNECTION PIN	1
9	5100040014	LEVER SECTOR LLA24	1
10	5299940282	RELEASE LEVER ASS'Y & DRUM CONTROL	1
11	5800330803	SCREW M8x25 HEX.SO.HE.CA.UNI5931 G.	1
12	5800730601	SCREW UNI5739 M6x16 GALVANIZED	2
13	5802230003	WASHER 6.4X12.5 UNI6592 GALVANIZED	2
14	5802230004	WASHER 8.4x16X1.6 UNI6592 GALVANIZ.	1
15	5802830001	SPLIT PIN D1.5 L.20 UNI1336	1



1999940025BKT - COMPLETE HANDLE RAL9006 - ARIES

	P/N machine: 1999950001BKT	Page: 4 di 24	
	Description: BELT LITE ARIES 2,2KW 230-240V-50HZ	Edition: 02 - 2023	



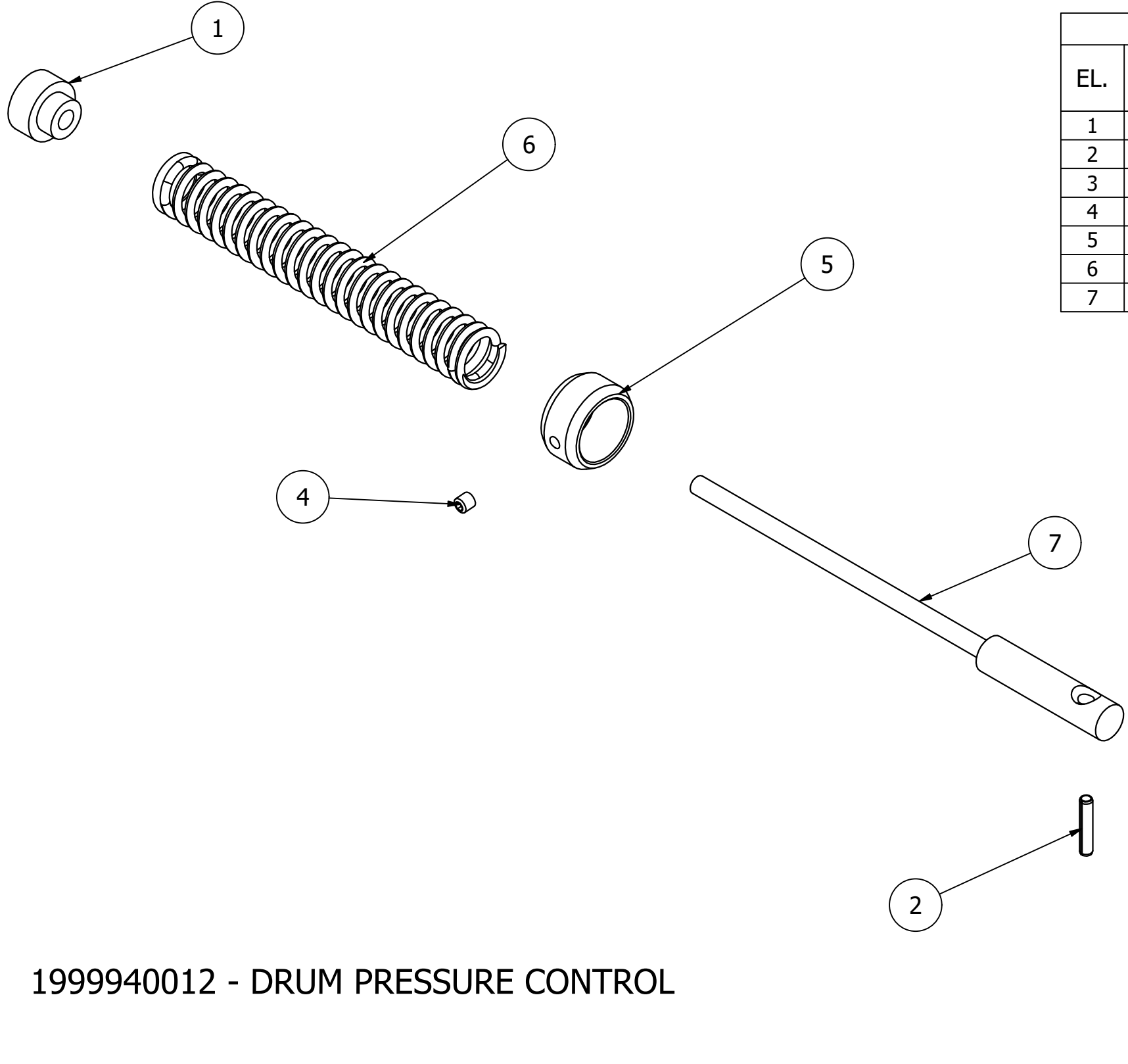
SPARE PARTS			
EL.	P/N	DESCRIPTION	QT.Y
1	5803733013	SPRING PIN 5x40 UNI 6874/71	1
4	5803030003	SNAP RING 15E	1
5	5804032105	BEARING 6202 2RS TE	1
6	5803030005	17E UNI 7435-75 SNAP RING	1
7	5804032009	6003-2RS1 RADIAL BALL BEARING	1
8	5801531011	CONE POINT GRUB SCREW M5X16 UNI5927	1
9	1900030021	CASTER PIN ARIES	1
10	5802230006	WASHER 13x24 UNI6592 GALVANIZED	2
11	1999940023	CASTER/SIDE MILLED WHEEL-ARIES	1

1999940088BKT - COMPLETE CASTER - RAL 9006 ARIES

	P/N machine: 1999950001BKT	Page: 5 di 24	
	Description: BELT LITE ARIES 2,2KW 230-240V-50HZ	Edition: 02 - 2023	



6 | 5 | 4 | 3 | 2 | 1

D
C
B
A



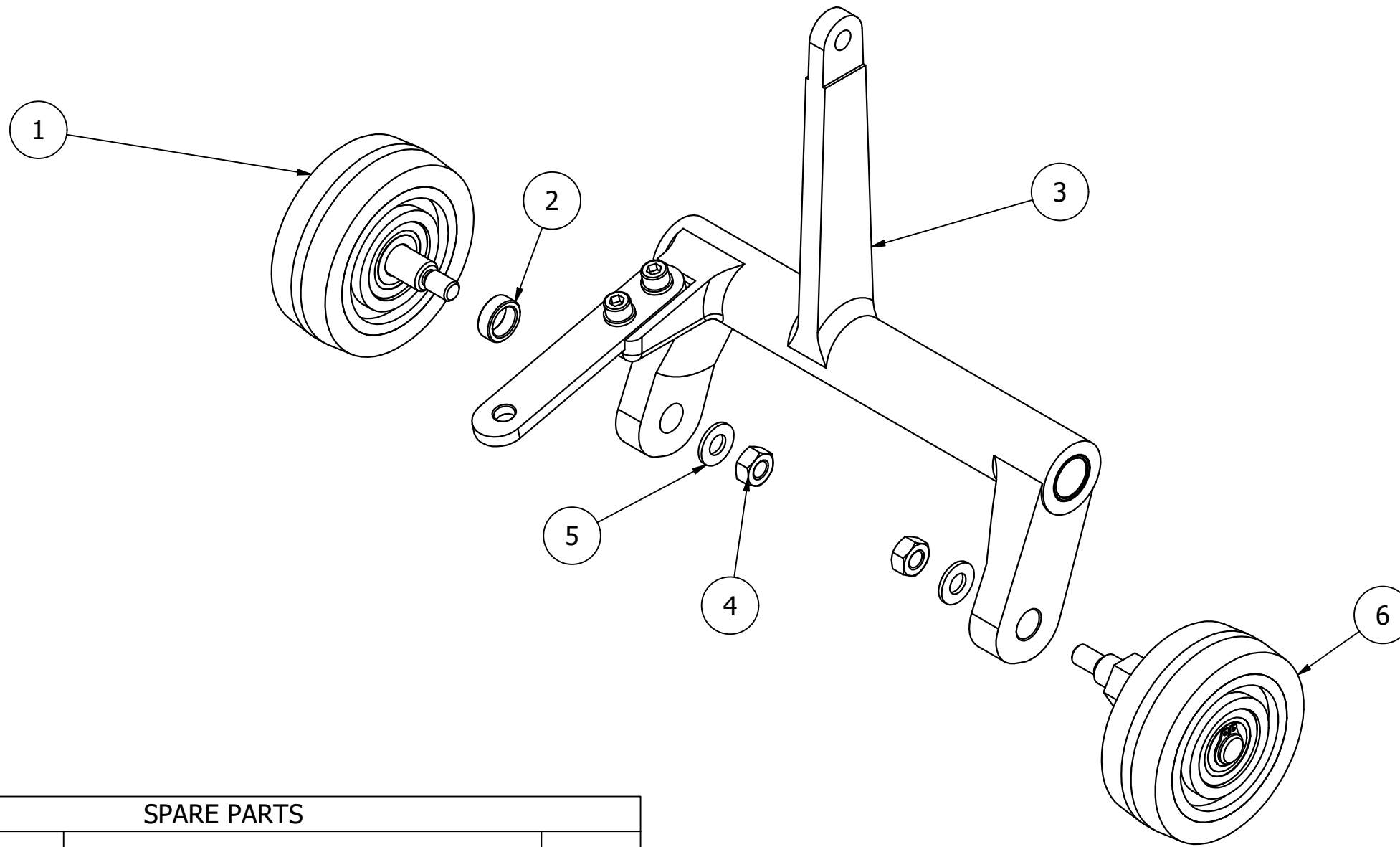
SPARE PARTS			
EL.	P/N	DESCRIPTION	QT.Y
1	1900030052	SPRING GUIDE BUTTON ARIES	1
2	5803733018	SPRING PIN 4X20	1
3	5299940125	DRUM PRESSURE CONTROL HANDGRIP	1
4	5801531001	GRUB SCREW M5x6 CO.PO.AL.SO.UNI5927	1
5	1900040022	DRUM PRESSURE CONTROL SPACER	1
6	1900030024	DRUM PRESSURE SPRING ARIES	1
7	1900040023	DRUM PRESSURE ADJUSTMENT ROD	1

1999940012 - DRUM PRESSURE CONTROL

	P/N machine: 1999950001BKT	Page: 6 di 24	
	Description: BELT LITE ARIES 2,2KW 230-240V-50HZ	Edition: 02 - 2023	

6 | 5 | 4 | 3 | 2 | 1

1999940015 - COMPLETE WHEELS SUPPORT W/WHEELS-ARIES



SPARE PARTS

EL.	P/N	DESCRIPTION	QT.Y
1	1999940027	FIXED WHEEL ASSEMBLY-ARIES	1
2	2800030014	WHEEL SPACER-ARIES/LEOPARD	1
3	1999940022	WHEELS SUPPORT-ARIES	1
4	5801930008	STANDARD NUT UNI 5588 M8 GALVANIZED	2
5	5802230004	WASHER 8.4x16X1.6 UNI6592 GALVANIZ.	2
6	1999940028	GRUPPO RUOTA ECCENTRICA ARIES	1



P/N machine:
1999950001BKT

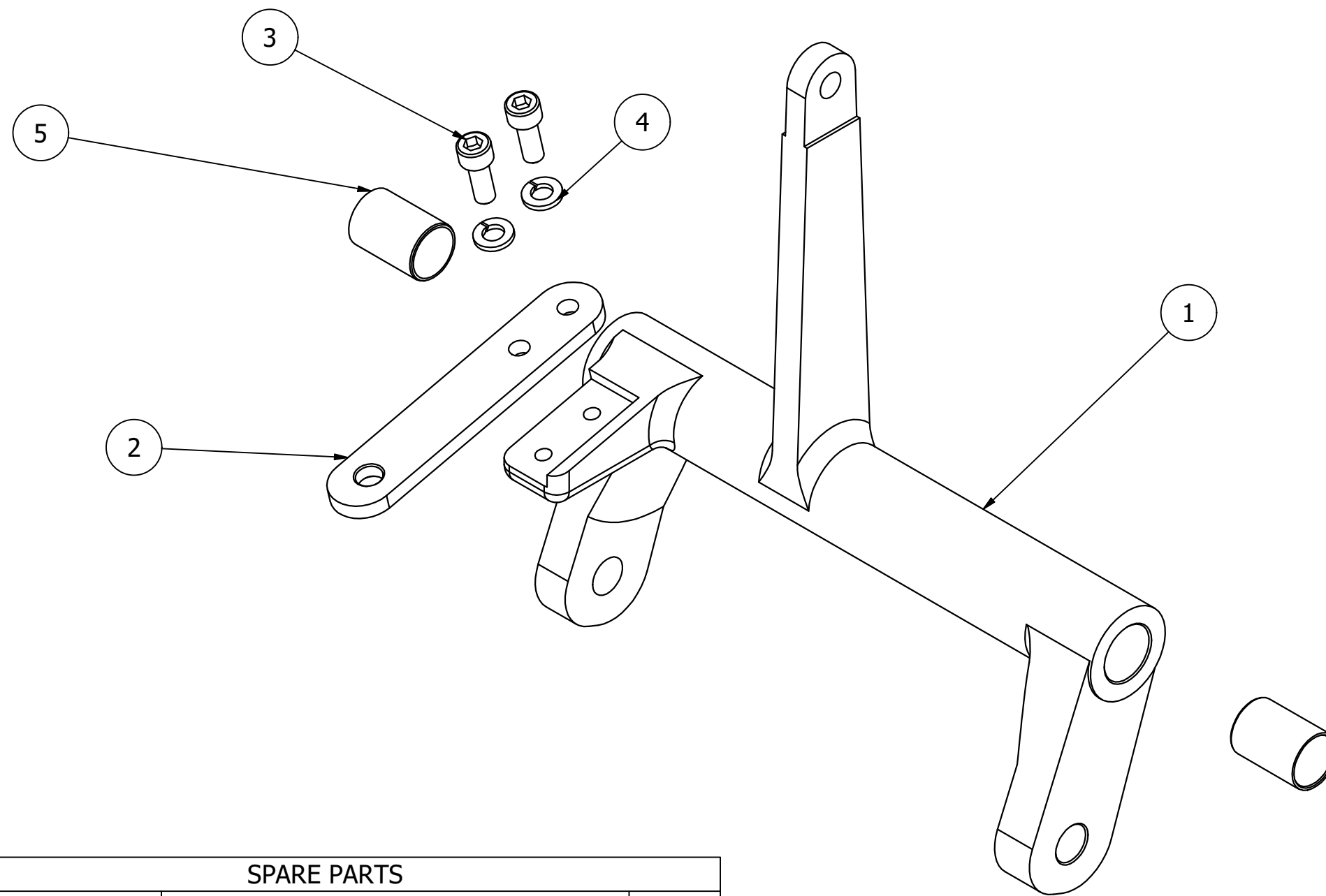
Description:
BELT LITE ARIES 2,2KW 230-240V-50HZ

Page:
7 di 24



Edition:
02 - 2023

Bona[®]

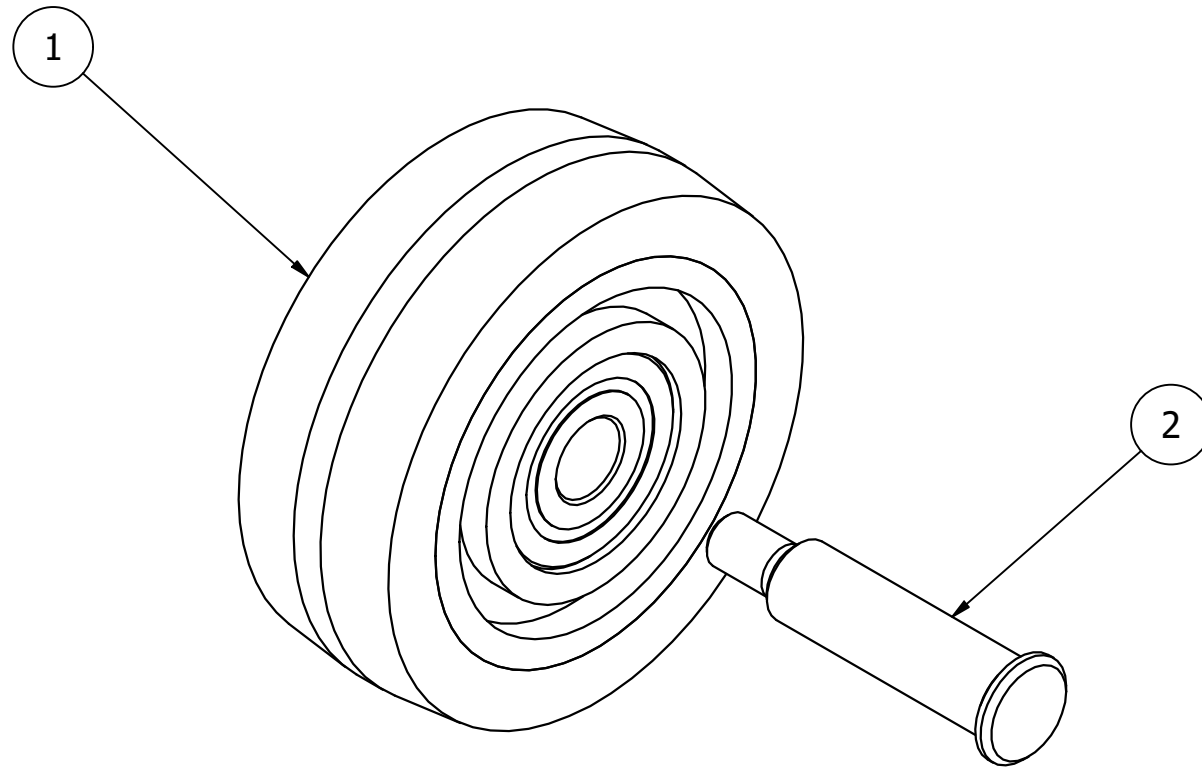
1999940022 - WHEELS SUPPORT-ARIES





SPARE PARTS			
EL.	P/N	DESCRIPTION	QT.Y
1	1900040028	WHEELS MACHINED SUPPORT ARIES	1
2	1900040044	WHEELS U BOLT LEVER ARIES	1
3	5800330602	SCREW M6x16 HE.SO.HE.CAP UNI5931 GA	2
4	5802231002	SPRING WASHER D6 1751-GALVANIZED	2
5	1900030025	BUSHING IGLIDUR W1618-25	2

	P/N machine: 1999950001BKT	Page: 8 di 24	
	Description: BELT LITE ARIES 2,2KW 230-240V-50HZ	Edition: 02 - 2023	

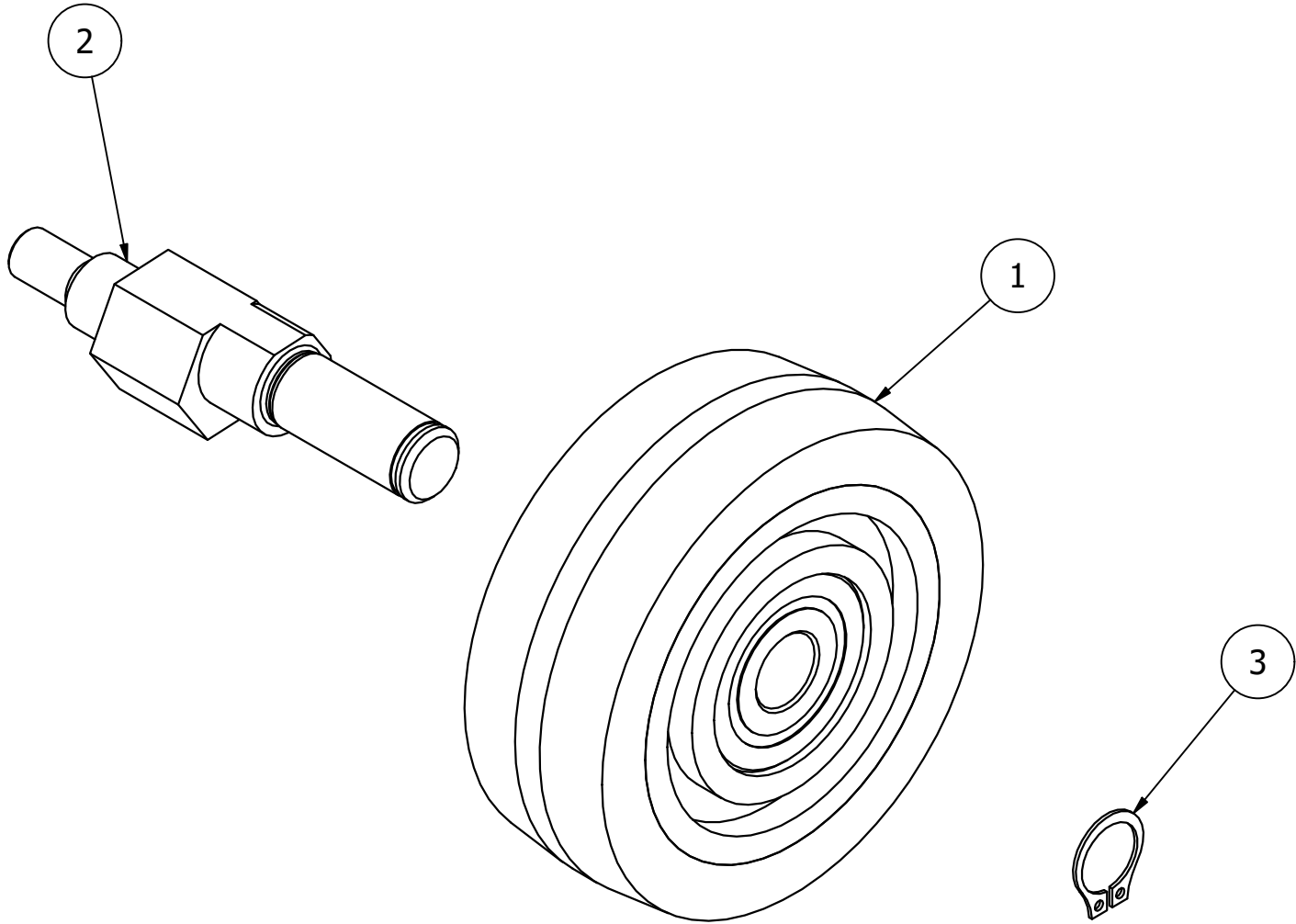
1999940027 - FIXED WHEEL ASSEMBLY-ARIES





SPARE PARTS			
EL.	P/N	DESCRIPTION	QT.Y
1	1999940023	CASTER/SIDE MILLED WHEEL-ARIES	1
2	1900040029	SIDE WHEEL PIN ARIES	1

	P/N machine: 1999950001BKT	Page: 9 di 24	
	Description: BELT LITE ARIES 2,2KW 230-240V-50HZ	Edition: 02 - 2023	

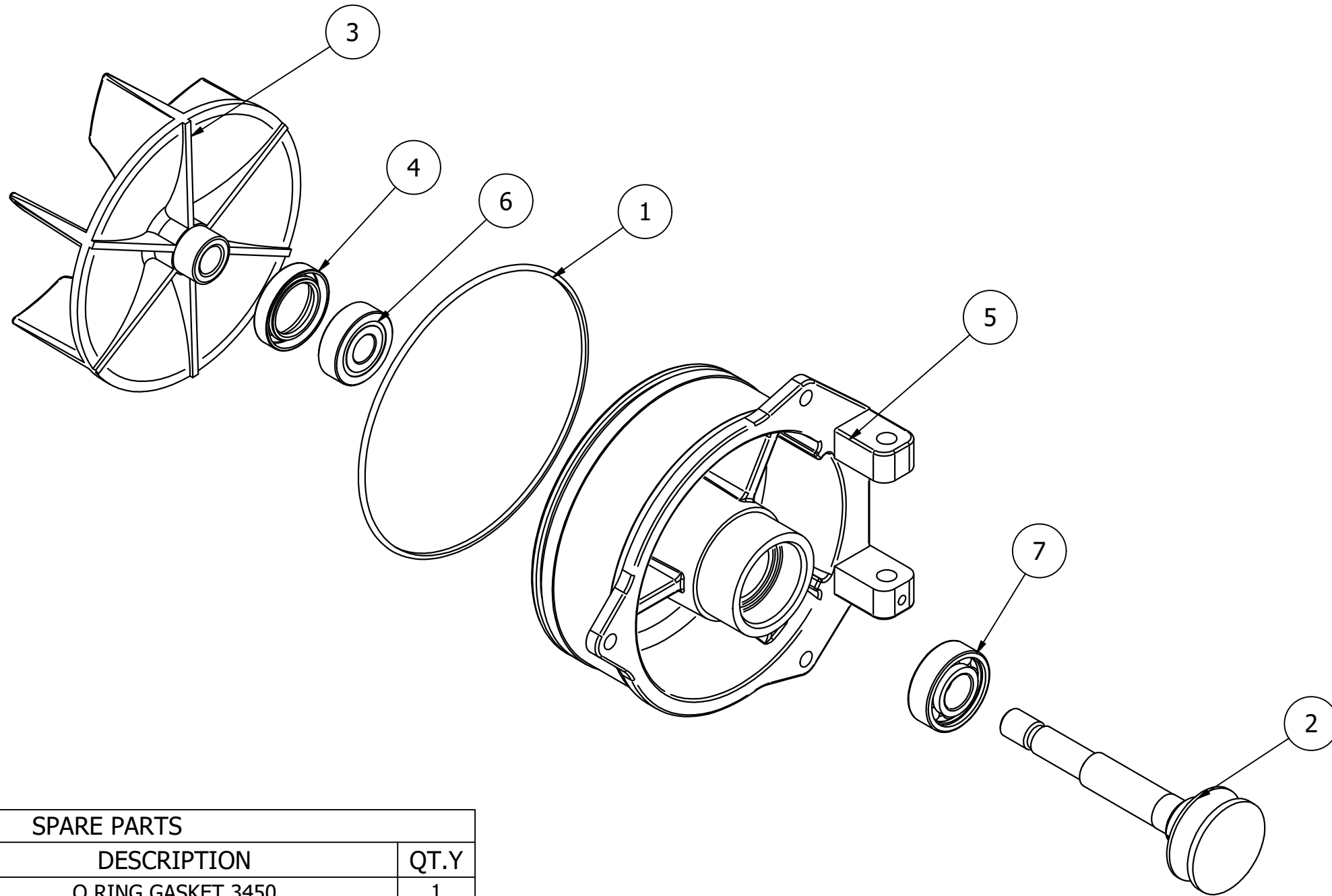
1999940028 - ECCENTRIC WHEEL ASSEMBLY-ARIES





SPARE PARTS			
EL.	P/N	DESCRIPTION	QT.Y
1	1999940023	CASTER/SIDE MILLED WHEEL-ARIES	1
2	1900040030	SIDE WHEEL ECCENTRIC PIN	1
3	5803030002	SNAP RING 12E	1

	P/N machine: 1999950001BKT	Page: 10 di 24	
	Description: BELT LITE ARIES 2,2KW 230-240V-50HZ	Edition: 02- 2023	

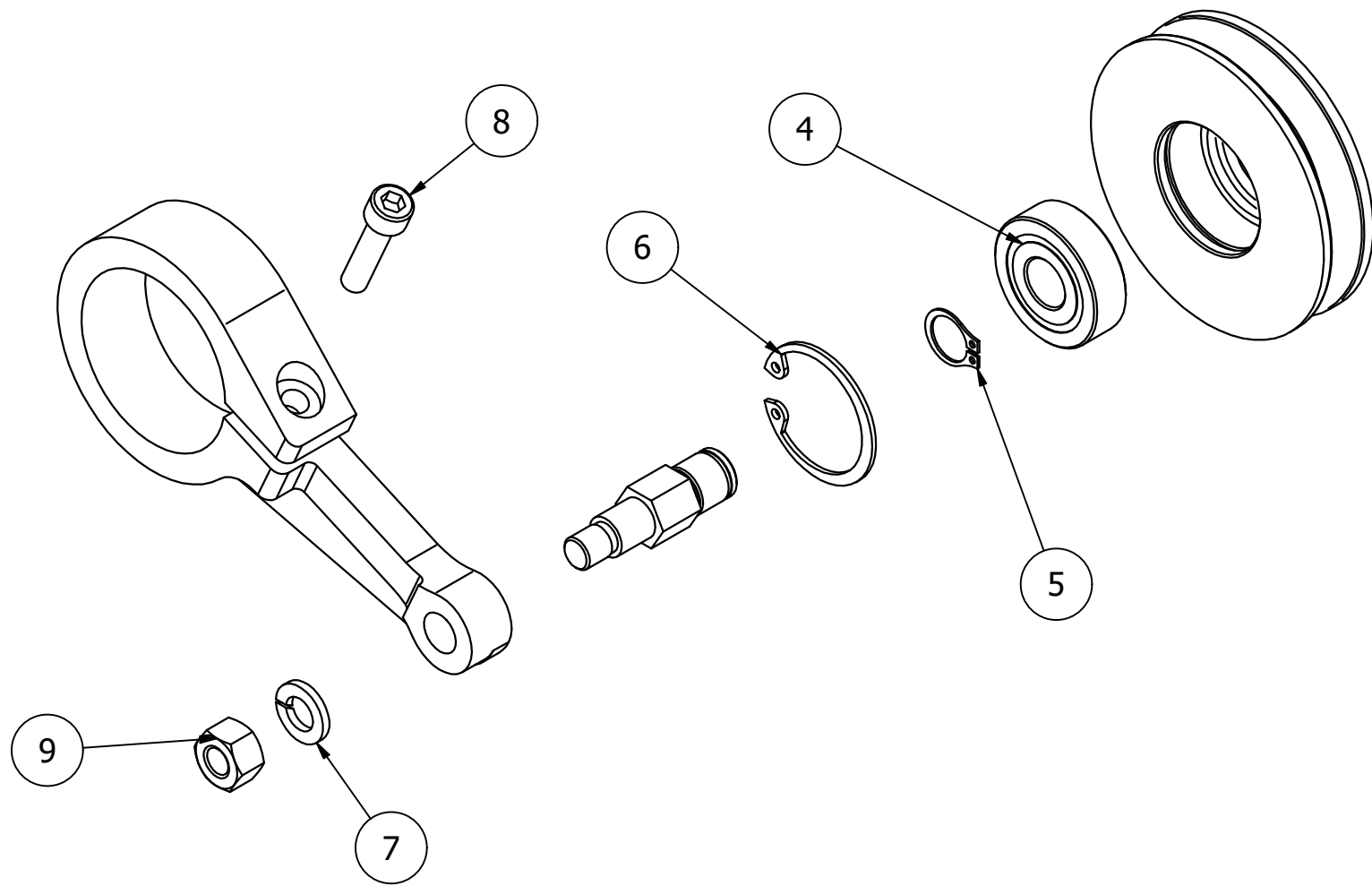
1999940001 - SUCTION ASSEMBLY ARIES



SPARE PARTS			
EL.	P/N	DESCRIPTION	QT.Y
1	5803431004	O RING GASKET 3450	1
2	1900040015	SUCTION SHAFT ARIES	1
3	1900040016	SAND.MACHINES MACHINED SUCTION FAN	1
4	5803430003	ROTARY SHAFT SEAL A22357	1
5	1900040005	SUCTION BUSHING	1
6	5804032005	BEARING 6201-2RS1	1
7	5804032006	BEARING 6202-2RS1	1



	P/N machine: 1999950001BKT	Page: 11 di 24	
	Description: BELT LITE ARIES 2,2KW 230-240V-50HZ	Edition: 02 - 2023	

1999940017 - COMPLETE TIGHTENING PULLEY

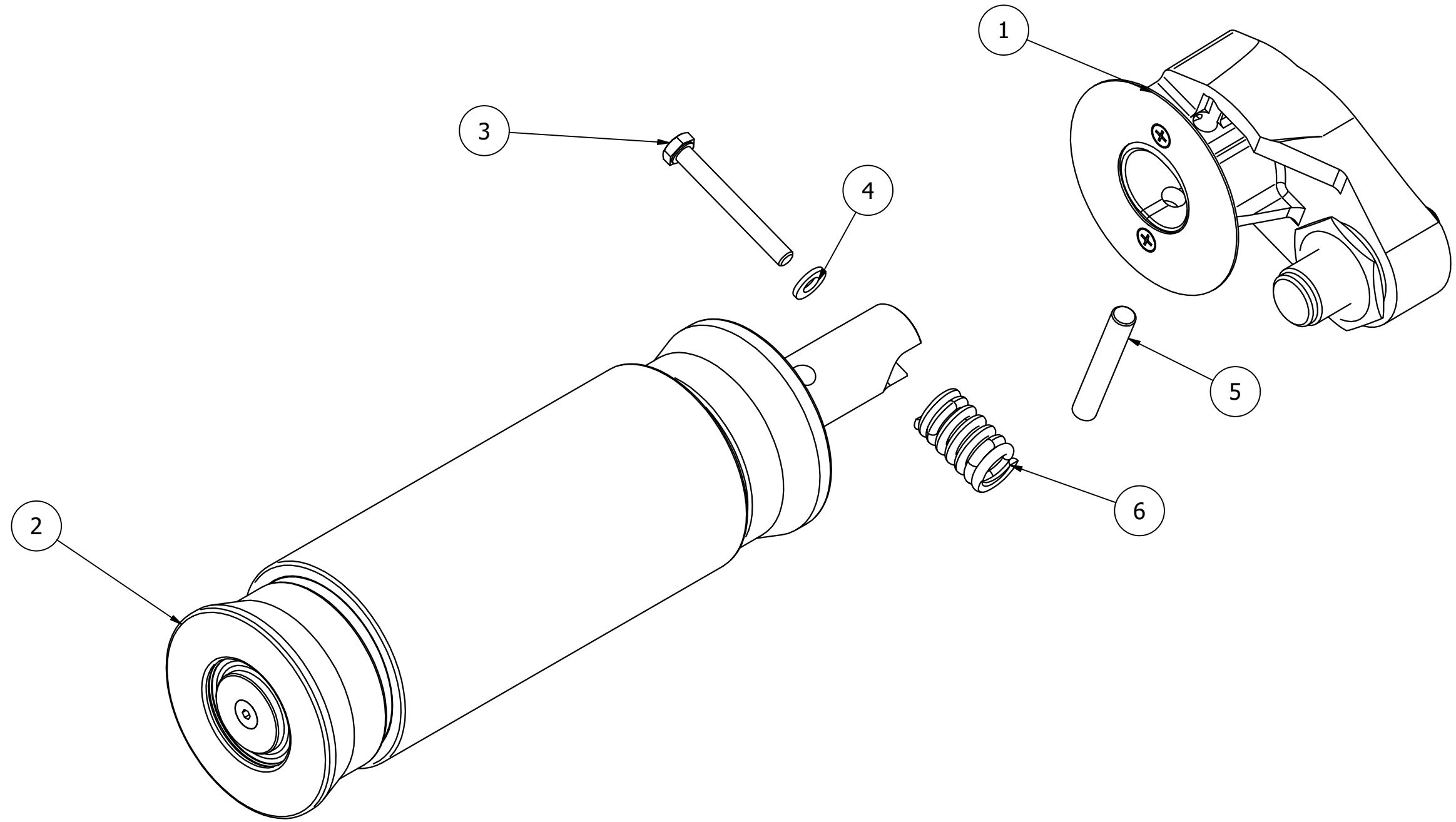


SPARE PARTS



EL.	P/N	DESCRIPTION	QT.Y
4	5804032005	BEARING 6201-2RS1	1
5	5803030002	SNAP RING 12E	1
6	5803031006	32I UNI 7437-75 RING	1
7	5802231003	SPRING WASHER A8.4 GALVANIZED	1
8	5800330605	SCREW UNI 5931 M6x22	1
9	5801931008	M8 UNI 5587 NUT	1

	P/N machine: 1999950001BKT	Page: 12 di 24	
	Description: BELT LITE ARIES 2,2KW 230-240V-50HZ	Edition: 02 - 2023	

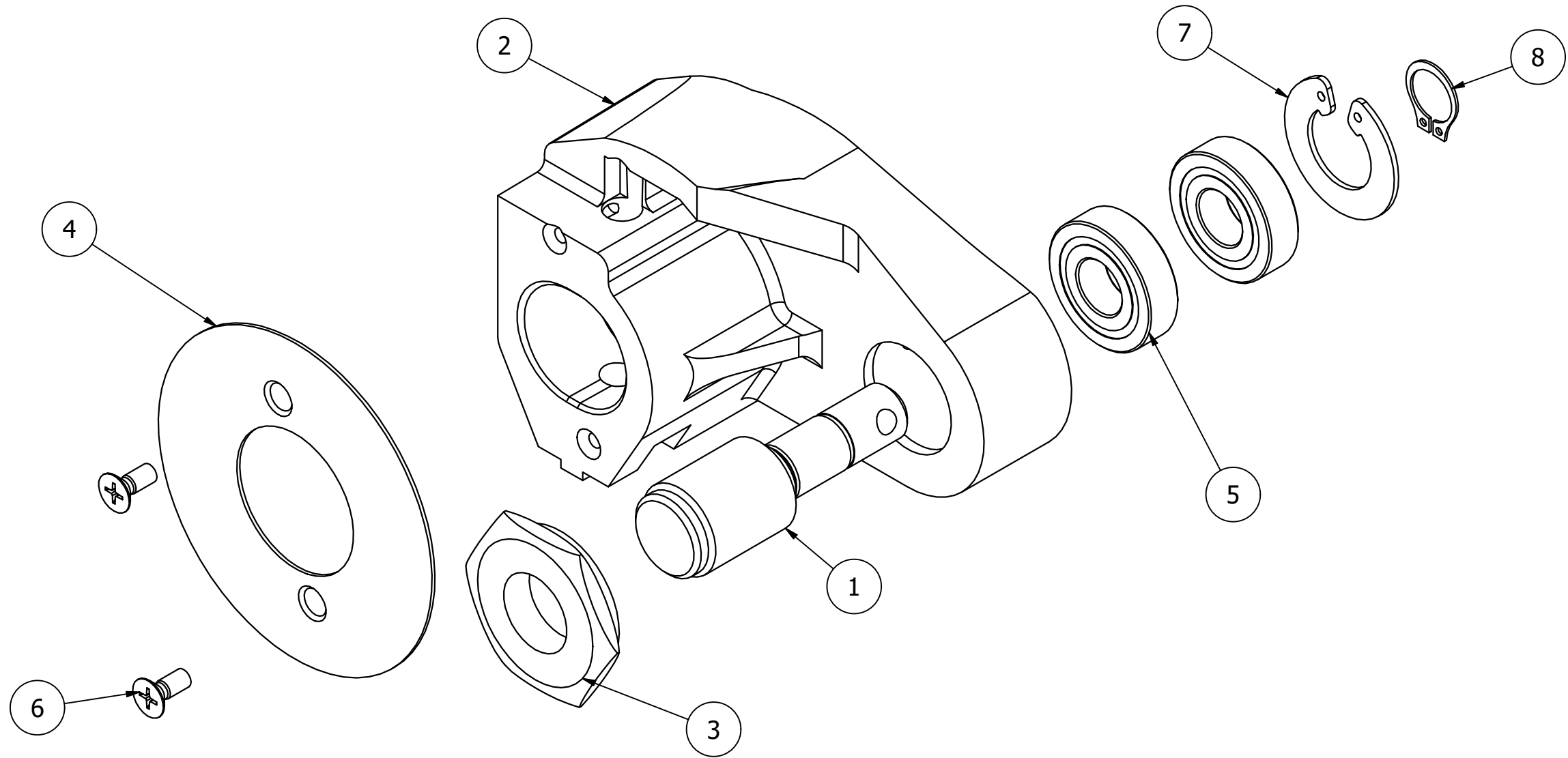
2099940100BKT - TENSIONER 3-RAL9006



SPARE PARTS			
EL.	P/N	DESCRIPTION	QT.Y
1	2099940110BKT	TENSIONER SUPPORT ASSEMBLY-RAL9006	1
2	2099940111	TENSIONER DRUM 3 ASSEMBLY	1
3	5800730607	SCREW M6x50 UNI5739	1
4	5802230003	WASHER 6.4X12.5 UNI6592 GALVANIZED	1
5	5803730003	CYLINDRIC.HARDENED PIN 8x50 DIN6325	1
6	2000030029	TENSIONER ADJUSTING SPRING	1

	P/N machine: 1999950001BKT	Page: 13 di 24	
	Description: BELT LITE ARIES 2,2KW 230-240V-50HZ	Edition: 02 - 2023	

2099940110BKT - TENSIONER SUPPORT ASSEMBLY-RAL9006



SPARE PARTS			
EL.	P/N	DESCRIPTION	QT.Y
1	2000040027	TENSIONER ASS'Y AXIAL ADJUST.SCREW	1
2	2000040028BKT	TENSIONER SUPPORT-RAL9006	1
3	2000040040	TENSIONER ASSEMBLY RING NUT	1
4	5100030109	TENSIONER SUPPORT METAL SHEET	1
5	5804032103	6001 2RS T.E. BEARING	2
6	5800530401	SCREW M4x10 CRFH UNI7688 DIN965 GAL	2
7	5803031004	28I UNI 7437-75 RING	1
8	5803030002	SNAP RING 12E	1



P/N machine:
1999950001BKT

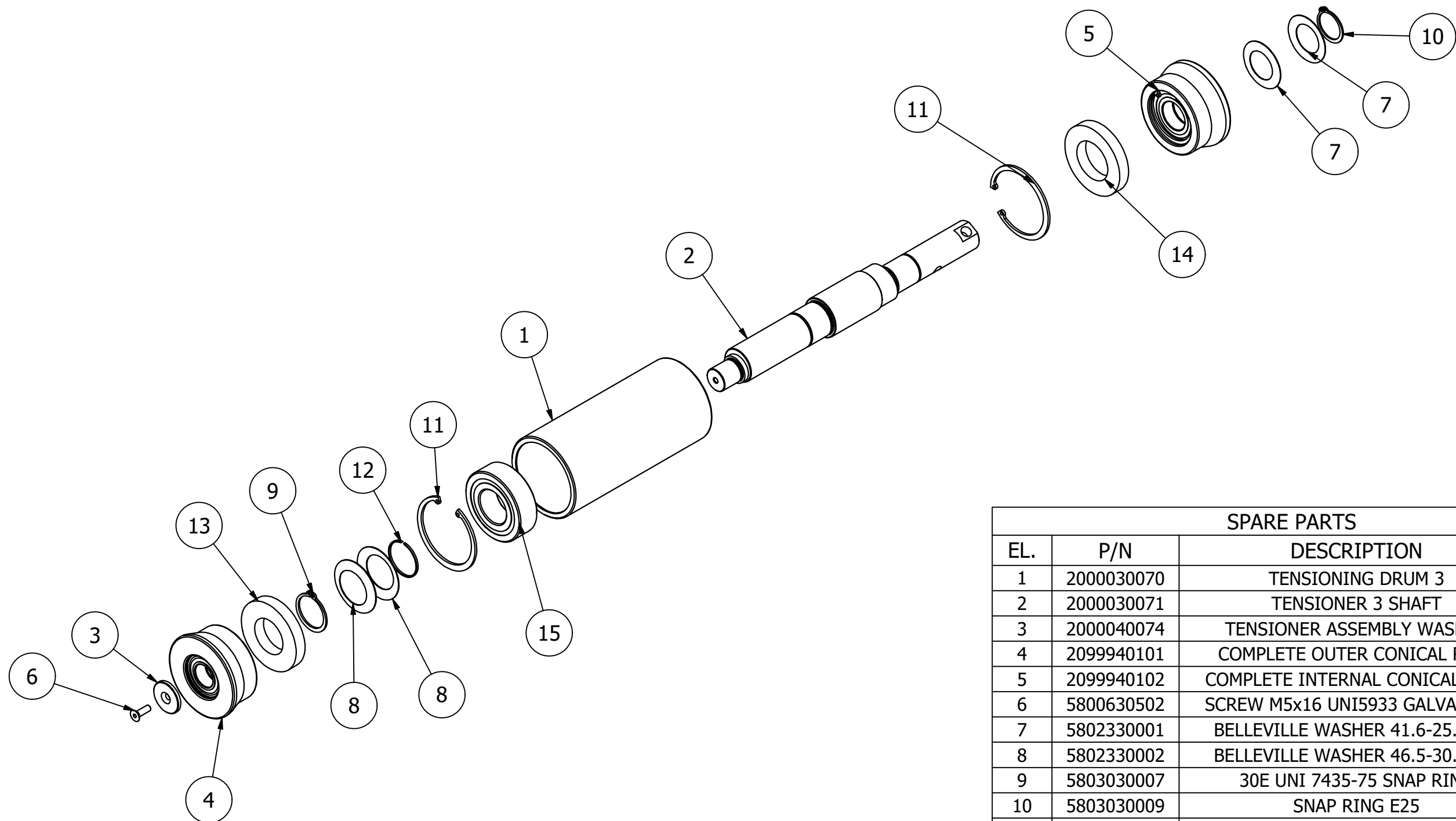
Description:
BELT LITE ARIES 2,2KW 230-240V-50HZ

Page:
14 di 24



Edition:
02 - 2023

Bona

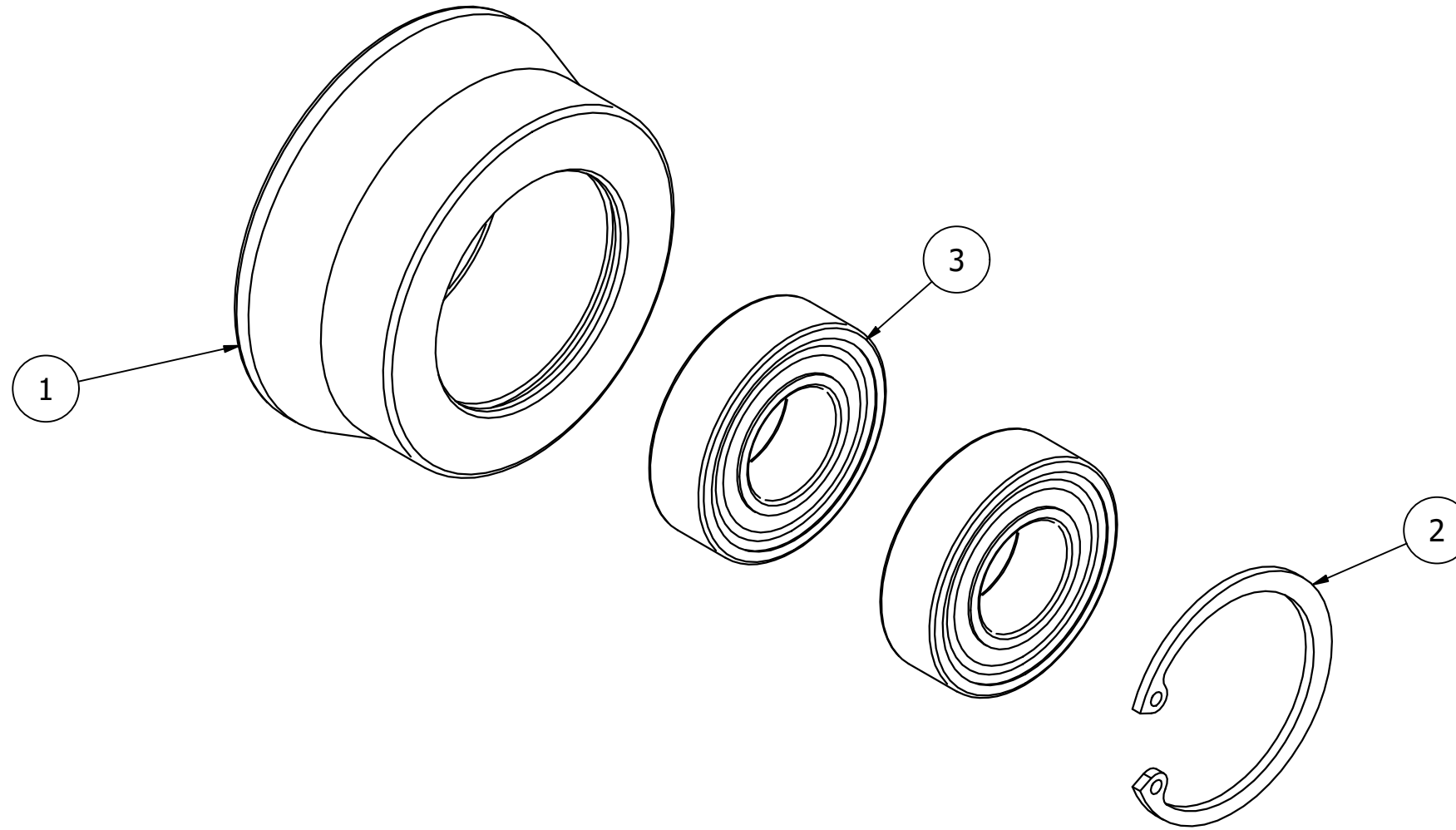
2099940111 - TENSIONER DRUM 3 ASSEMBLY





SPARE PARTS			
EL.	P/N	DESCRIPTION	QT.Y
1	2000030070	TENSIONING DRUM 3	1
2	2000030071	TENSIONER 3 SHAFT	1
3	2000040074	TENSIONER ASSEMBLY WASHER	1
4	2099940101	COMPLETE OUTER CONICAL RING	1
5	2099940102	COMPLETE INTERNAL CONICAL RING	1
6	5800630502	SCREW M5x16 UNI5933 GALVANIZED	1
7	5802330001	BELLEVILLE WASHER 41.6-25.5-0.5	2
8	5802330002	BELLEVILLE WASHER 46.5-30.5-0.6	2
9	5803030007	30E UNI 7435-75 SNAP RING	1
10	5803030009	SNAP RING E25	1
11	5803031010	SNAP RING I 62 UNI 7437	2
12	5803035001	SEEGER RING SW 32	1
13	5803430012	ROTARY SHAFT SEAL 326210	1
14	5803430013	ROTARY SHAFT SEAL 356210	1
15	5804031002	BEARING 2206-E 2RS1	1

	P/N machine: 1999950001BKT	Page: 15 di 24	
	Description: BELT LITE ARIES 2,2KW 230-240V-50HZ	Edition: 02 - 2023	

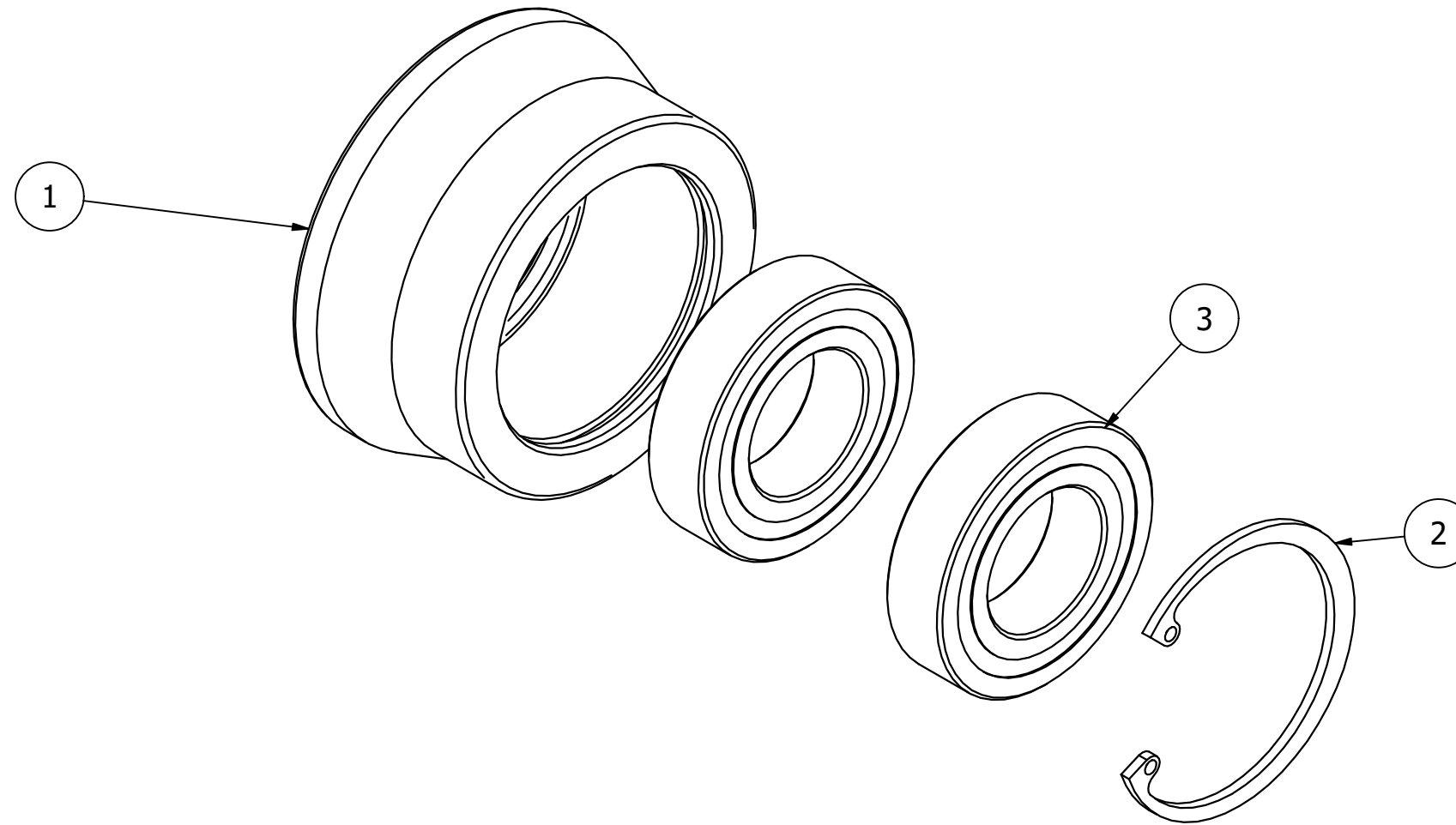
2099940101 - COMPLETE OUTER CONICAL RING





SPARE PARTS			
EL.	P/N	DESCRIPTION	QT.Y
1	2000040072	OUTSIDE CONICAL RING-TENSIONER 3	1
2	5803031008	I42 SNAP RING	1
3	5804032011	6004 2RS BALL BEARING	2

	P/N machine: 1999950001BKT	Page: 16 di 24	
	Description: BELT LITE ARIES 2,2KW 230-240V-50HZ	Edition: 02 - 2023	

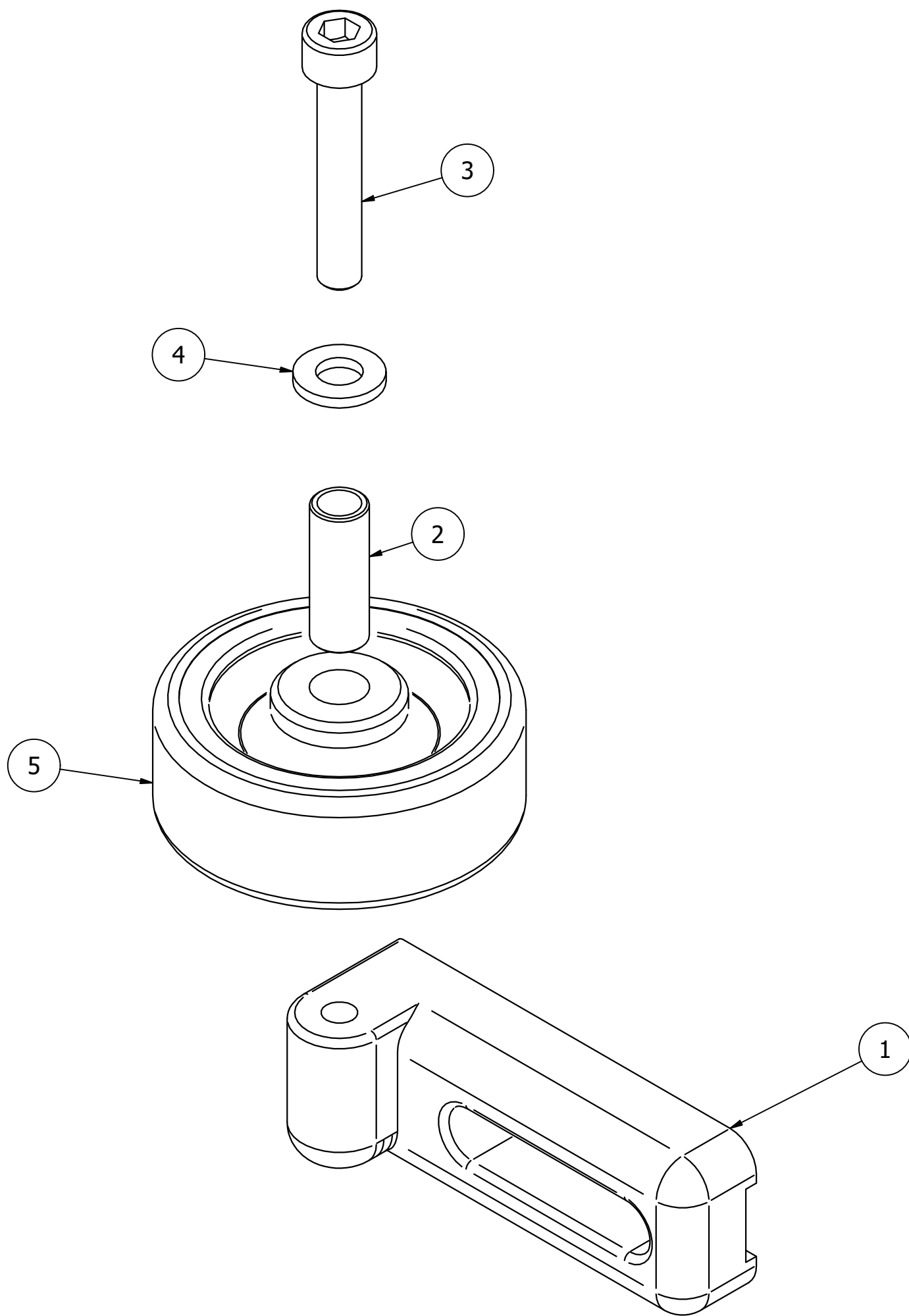
2099940102 - COMPLETE INTERNAL CONICAL RING



SPARE PARTS			
EL.	P/N	DESCRIPTION	QT.Y
1	2000040073	INTERNAL CONICAL RING-TENSIONER 3	1
2	5803031012	SNAP RING 47I	1
3	5804032013	6005-2RS1 RADIAL BALL BEARING	2

	P/N machine: 1999950001BKT	Page: 17 di 24	
	Description: BELT LITE ARIES 2,2KW 230-240V-50HZ	Edition: 02 - 2023	

2099940030BKT - COMPLETE WALL EDGE-RAL9006



SPARE PARTS			
ELEMENTO	P/N	DESCRIPTION	QT.Y
1	2000040011BKT	WALL EDGE WHEEL SUPPORT-TEXTU.R9006	1
2	5100040437	BUSHING 8x6x22 V/P/SDT	1
3	5800330608	SCREW M6x35 HEX.SO.HE.CA.UNI5931 G.	1
4	5802230003	WASHER 6.4X12.5 UNI6592 GALVANIZED	2
5	5100031011	WALL EDGE WHEEL D.50	1



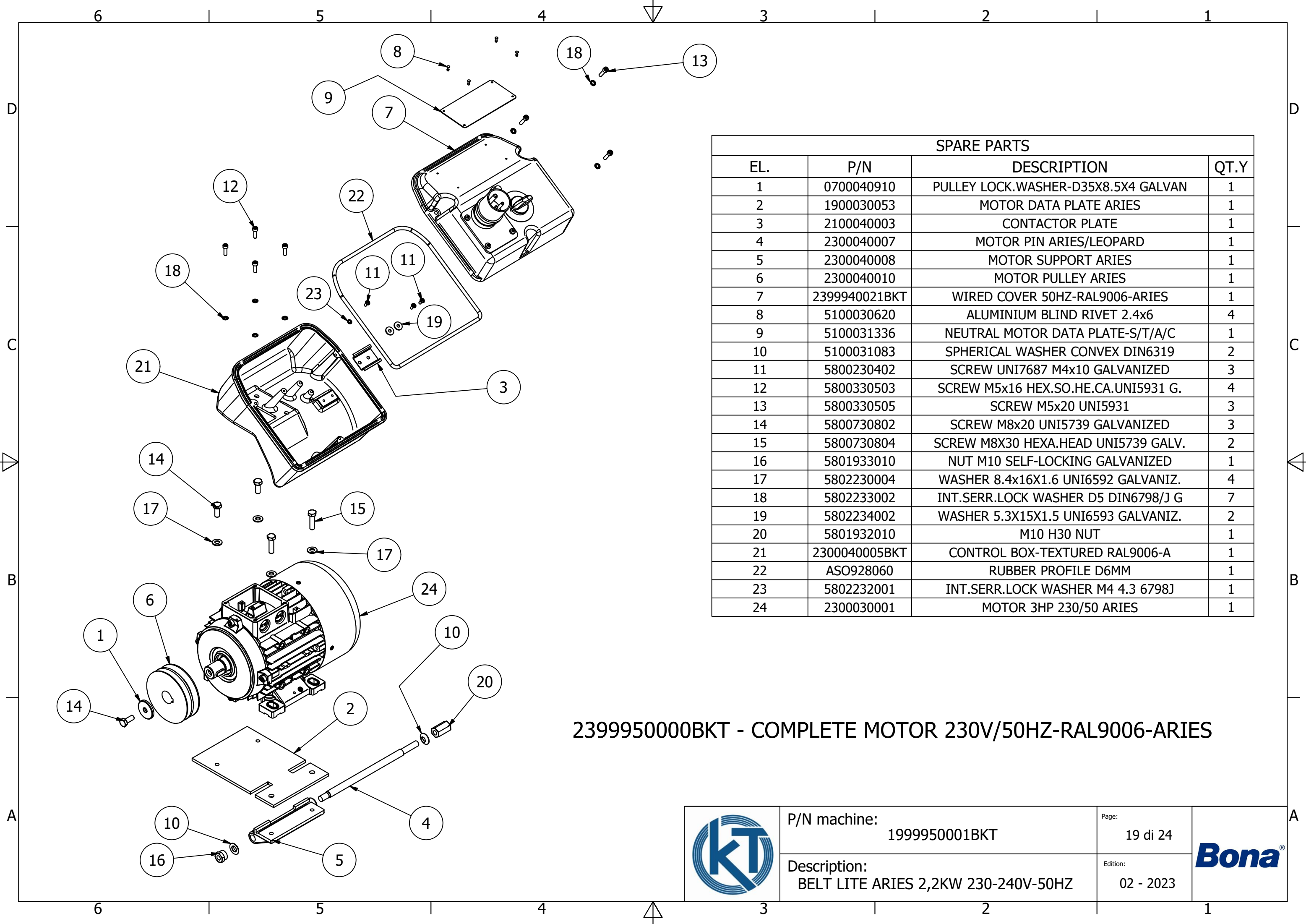
P/N machine:
1999950001BKT

Description:
BELT LITE ARIES 2,2KW 230-240V-50HZ

Page:
18 di 24



Edition:
02 - 2023



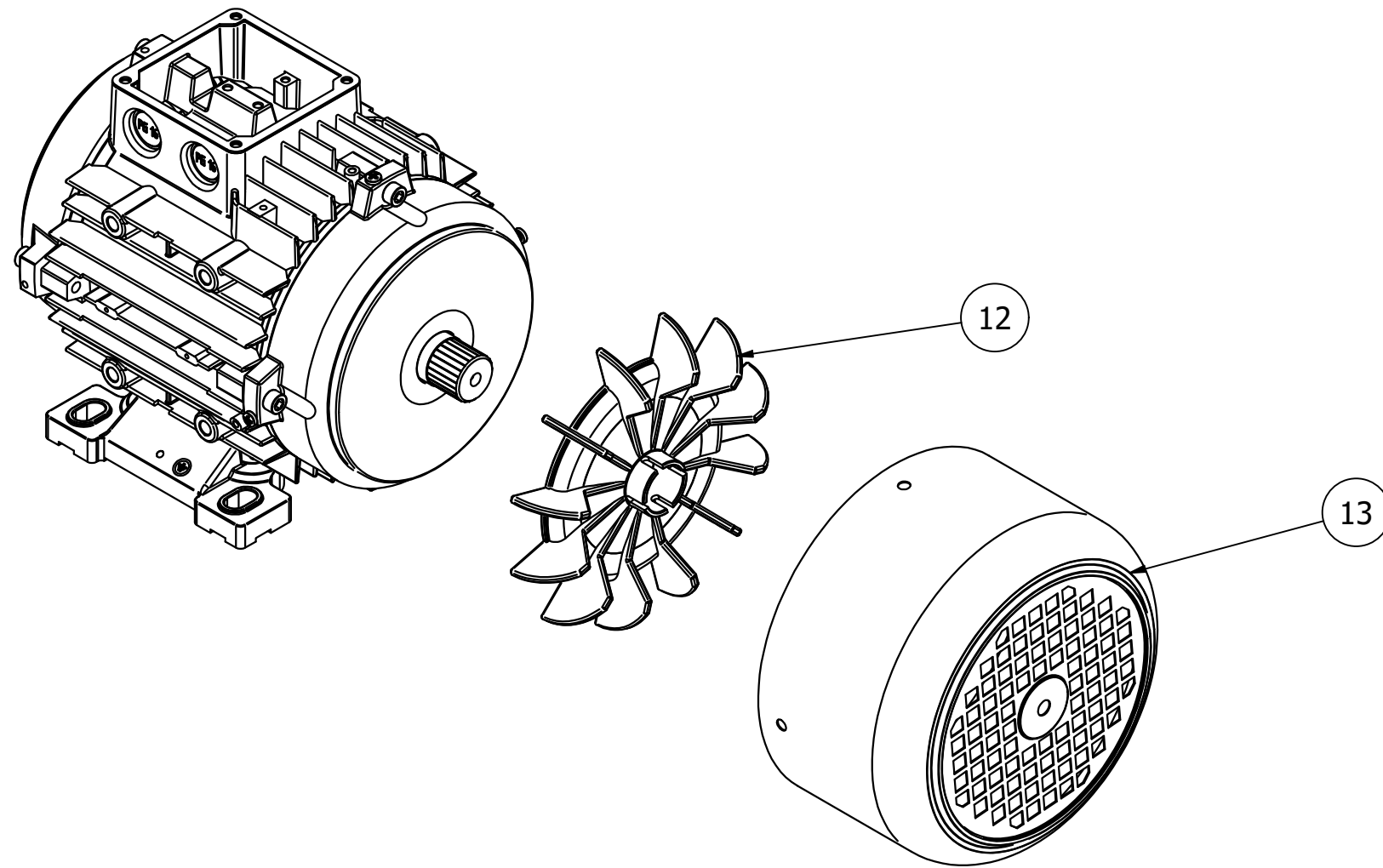


SPARE PARTS			
EL.	P/N	DESCRIPTION	QT.Y
1	0700040910	PULLEY LOCK.WASHER-D35X8.5X4 GALVAN	1
2	1900030053	MOTOR DATA PLATE ARIES	1
3	2100040003	CONTACTOR PLATE	1
4	2300040007	MOTOR PIN ARIES/LEOPARD	1
5	2300040008	MOTOR SUPPORT ARIES	1
6	2300040010	MOTOR PULLEY ARIES	1
7	2399940021BKT	WIRED COVER 50HZ-RAL9006-ARIES	1
8	5100030620	ALUMINIUM BLIND RIVET 2.4x6	4
9	5100031336	NEUTRAL MOTOR DATA PLATE-S/T/A/C	1
10	5100031083	SPHERICAL WASHER CONVEX DIN6319	2
11	5800230402	SCREW UNI7687 M4x10 GALVANIZED	3
12	5800330503	SCREW M5x16 HEX.SO.HE.CA.UNI5931 G.	4
13	5800330505	SCREW M5x20 UNI5931	3
14	5800730802	SCREW M8x20 UNI5739 GALVANIZED	3
15	5800730804	SCREW M8X30 HEXA.HEAD UNI5739 GALV.	2
16	5801933010	NUT M10 SELF-LOCKING GALVANIZED	1
17	5802230004	WASHER 8.4x16X1.6 UNI6592 GALVANIZ.	4
18	5802233002	INT.SERR.LOCK WASHER D5 DIN6798/J G	7
19	5802234002	WASHER 5.3X15X1.5 UNI6593 GALVANIZ.	2
20	5801932010	M10 H30 NUT	1
21	2300040005BKT	CONTROL BOX-TEXTURED RAL9006-A	1
22	AS0928060	RUBBER PROFILE D6MM	1
23	5802232001	INT.SERR.LOCK WASHER M4 4.3 6798J	1
24	2300030001	MOTOR 3HP 230/50 ARIES	1



2399950000BKT - COMPLETE MOTOR 230V/50HZ-RAL9006-ARIES

	P/N machine: 1999950001BKT	Page: 19 di 24	
	Description: BELT LITE ARIES 2,2KW 230-240V-50HZ	Edition: 02 - 2023	

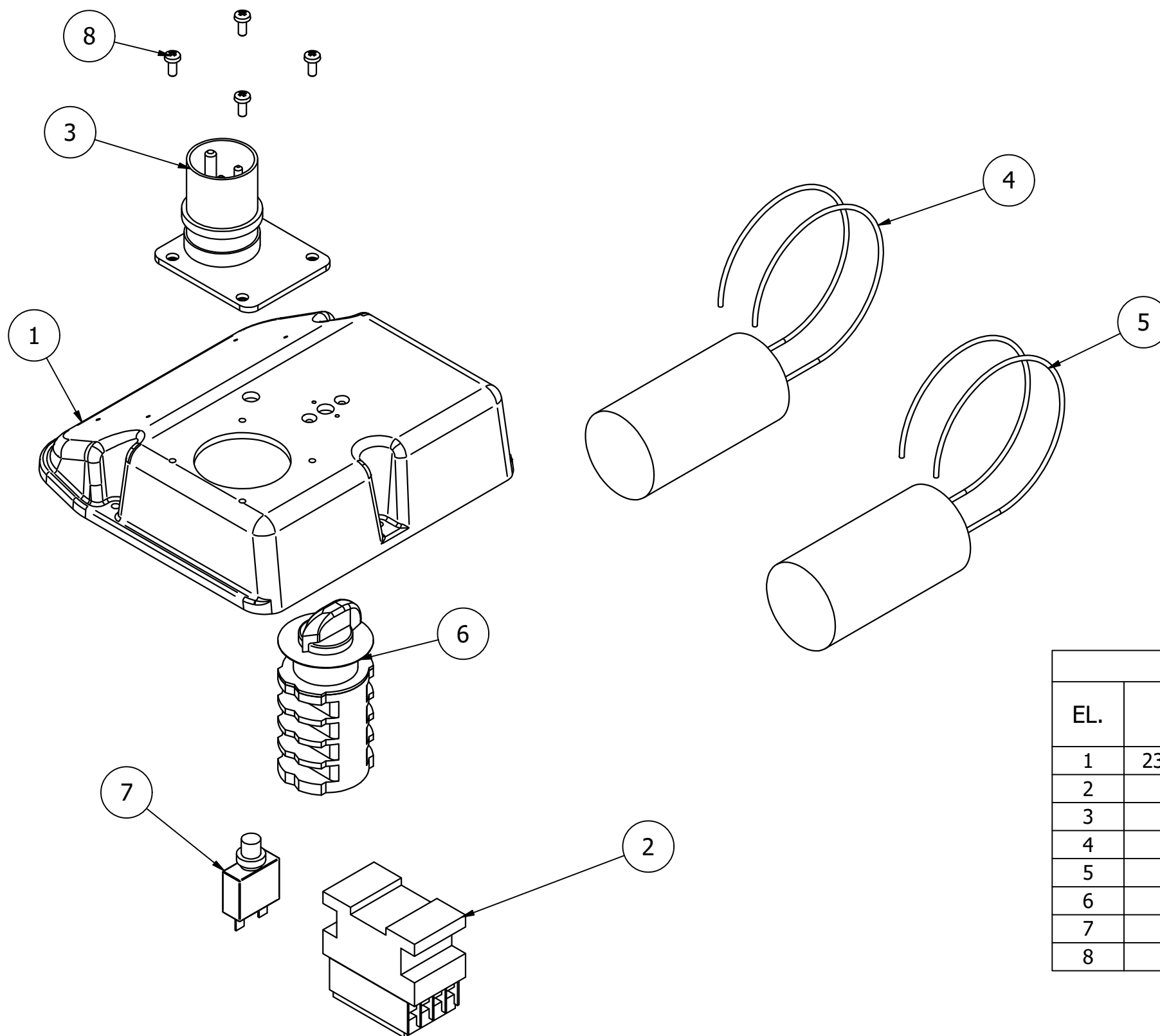
2300030001 - MOTOR 3HP 230/50 ARIES





SPARE PARTS			
EL.	P/N	DESCRIPTION	QT.Y
12	2300030009	MOTOR FAN 2.2KW ARIES	1
13	2300030008	MOTOR FAN COVER ARIES	1

	P/N machine: 1999950001BKT	Page: 20 di 24	
	Description: BELT LITE ARIES 2,2KW 230-240V-50HZ	Edition: 02 - 2023	

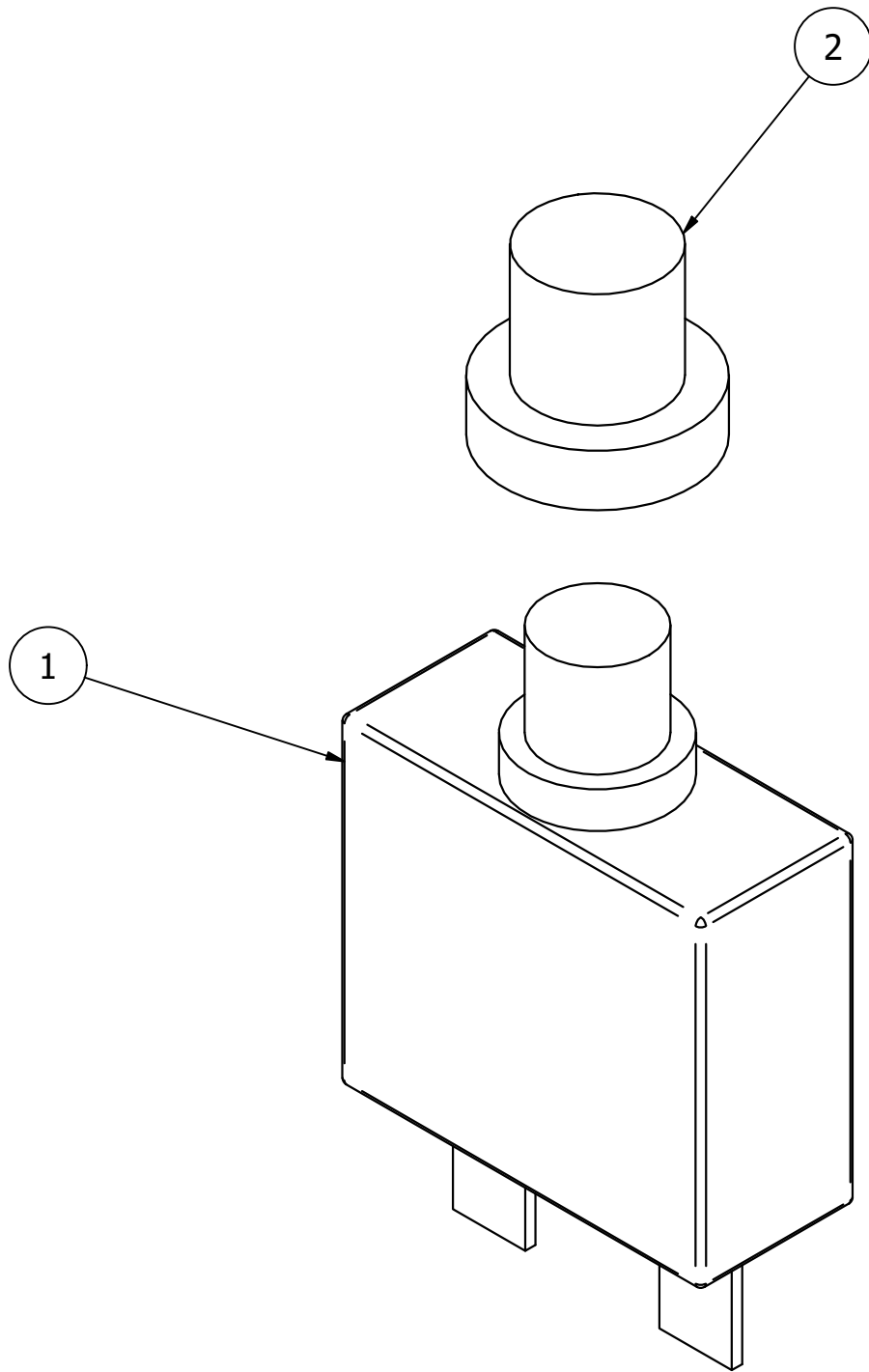
2399940021BKT - WIRED COVER 50HZ-RAL9006-ARIES





SPARE PARTS			
EL.	P/N	DESCRIPTION	QT.Y
1	2300040003BKT	MOTOR CONTROL BOX COVER-RAL9006-ARIES	1
2	5100030047	CONTACTOR BF16-10	1
3	5100030505	NEW FIXED BLUE PLUG 16A 2P+G	1
4	5100030699	CAPACITOR 100MF 400V	1
5	5100030691	CAPACITOR 50MF 550V DIAM.55MM	1
6	5100031056	CHANGE-OVER SWITCH T/A	1
7	5299940095	TH.OVERL.CIRC.BREAKER 16A-ETA(1658)	1
8	5800230502	SCREW M5x12 CRPH UNI7687 DIN7985 G.	4

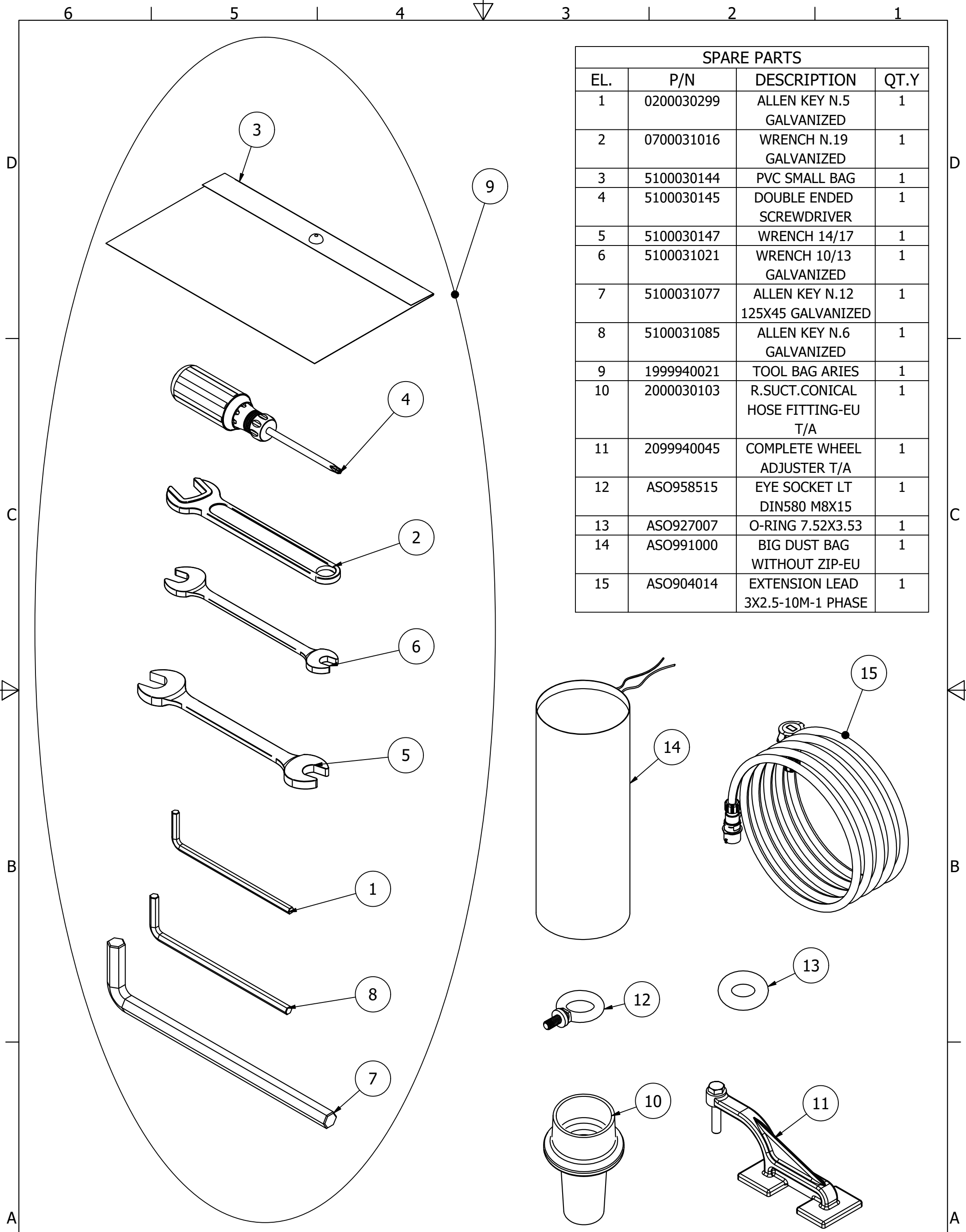
	P/N machine: 1999950001BKT	Page: 21 di 24	
	Description: BELT LITE ARIES 2,2KW 230-240V-50HZ	Edition: 02 - 2023	

5299940095 - TH.OVERL.CIRC.BREAKER 16A-ETA(1658)





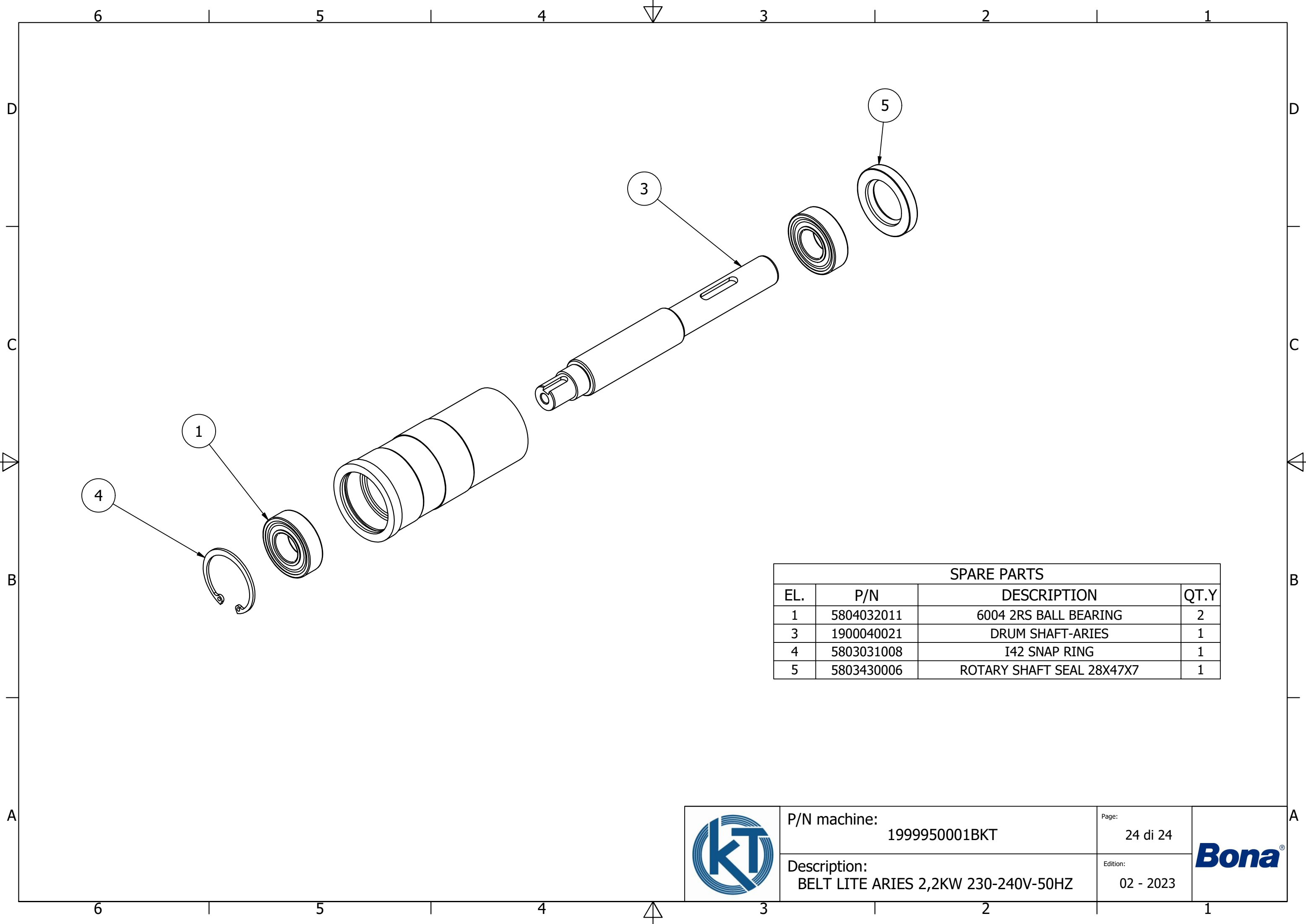
SPARE PARTS			
EL.	P/N	DESCRIPTION	QT.Y
1	5100031395	THERM.OVERL.CIRCU.BREAKER 16A E-T-A	1
2	5100031495	THER.OVER.CIR.BREAK.COVER 16A E-T-A	1

	P/N machine: 1999950001BKT	Page: 22 di 24	
	Description: BELT LITE ARIES 2,2KW 230-240V-50HZ	Edition: 02 - 2023	





SPARE PARTS			
EL.	P/N	DESCRIPTION	QT.Y
1	0200030299	ALLEN KEY N.5 GALVANIZED	1
2	0700031016	WRENCH N.19 GALVANIZED	1
3	5100030144	PVC SMALL BAG	1
4	5100030145	DOUBLE ENDED SCREWDRIVER	1
5	5100030147	WRENCH 14/17	1
6	5100031021	WRENCH 10/13 GALVANIZED	1
7	5100031077	ALLEN KEY N.12 125X45 GALVANIZED	1
8	5100031085	ALLEN KEY N.6 GALVANIZED	1
9	1999940021	TOOL BAG ARIES	1
10	2000030103	R.SUCT.CONICAL HOSE FITTING-EU T/A	1
11	2099940045	COMPLETE WHEEL ADJUSTER T/A	1
12	ASO958515	EYE SOCKET LT DIN580 M8X15	1
13	ASO927007	O-RING 7.52X3.53	1
14	ASO991000	BIG DUST BAG WITHOUT ZIP-EU	1
15	ASO904014	EXTENSION LEAD 3X2.5-10M-1 PHASE	1

	P/N machine: 1999950001BKT	Page: 23 di 24	
	Description: BELT LITE ARIES 2,2KW 230-240V-50HZ	Edition: 02 - 2023	



SPARE PARTS			
EL.	P/N	DESCRIPTION	QT.Y
1	5804032011	6004 2RS BALL BEARING	2
3	1900040021	DRUM SHAFT-ARIES	1
4	5803031008	I42 SNAP RING	1
5	5803430006	ROTARY SHAFT SEAL 28X47X7	1

	P/N machine: 1999950001BKT	Page: 24 di 24	
	Description: BELT LITE ARIES 2,2KW 230-240V-50HZ	Edition: 02 - 2023	